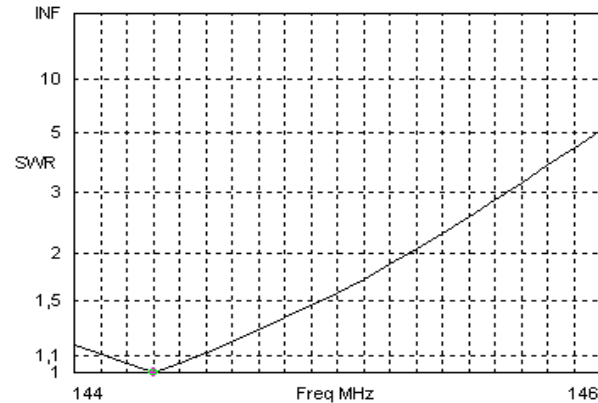


Bausatz 10 ele Yagi 144 MHz mit 6,0m Boom im 28 Ohm Design
Antenna kit 10 ele Yagi 144 MHz with 6,0m boom in 28 Ohm Design

Antennenabmessungen / Dimensions table			
	Durchmesser Diameter (mm)	Länge / Length (mm)	Position (mm)
Reflektor / Reflector	8	1014	0
Strahler / Radiator	12	964	415
Direktor 1 / Director 1	8	953	670
Direktor 2 / Director 2	8	918	1225
Direktor 3 / Director 3	8	905	1915
Direktor 4 / Director 4	8	892	2725
Direktor 5 / Director 5	8	885	3575
Direktor 6 / Director 6	8	879	4440
Direktor 7 / Director 7	8	889	5300
Direktor 8 / Director 8	8	874	5980

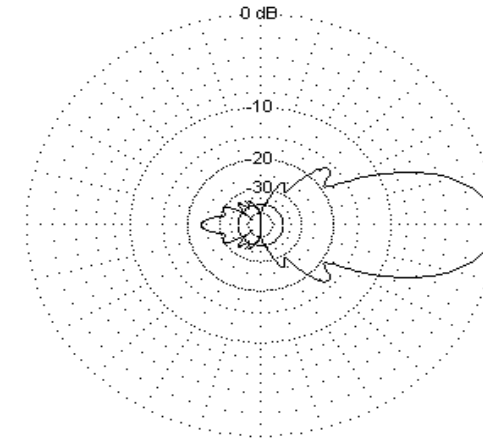
SWR:



Freq 144,3 MHz Source # 1
 SWR 1,002 Z0 28 ohms
 Z 27,94 - j 0,01569 ohms
 Refl Coeff 0,001049 at -164,48 deg.

Azimuth:

Total
 H pol
 V pol



EZNEC-M

144,3 MHz

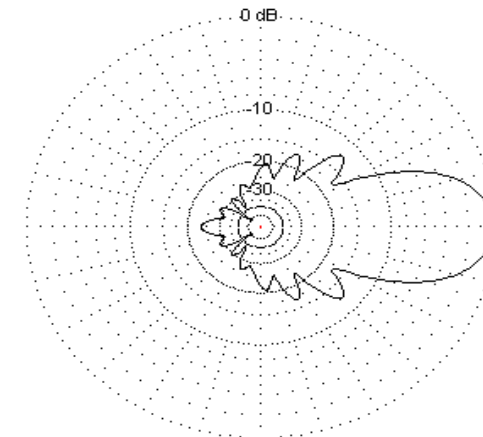
Azimuth Plot
 Elevation Angle 0,0 deg.
 Outer Ring 13,19dBref

Cursor Az 0,0 deg.
 Gain 13,19 dBref
 0,0 dBmax

Slice Max Gain 13,19 dBref @ Az Angle = 0,0 deg.
 Front/Back 23,64 dB
 Beamwidth 30,8 deg.; -3dB @ 344,6, 15,4 deg.
 Sidelobe Gain -2,86 dBref @ Az Angle = 42,0 deg.
 Front/Sidelobe 16,05 dB

Elevation:

Total
 H pol
 V pol



EZNEC-M

144,3 MHz

Elevation Plot
 Azimuth Angle 0,0 deg.
 Outer Ring 13,19dBref

Cursor Elev 0,0 deg.
 Gain 13,19 dBref
 0,0 dBmax

Slice Max Gain 13,19 dBref @ Elev Angle = 0,0 deg.
 Front/Back 23,64 dB
 Beamwidth 32,8 deg.; -3dB @ 343,6, 16,4 deg.
 Sidelobe Gain 0,67 dBref @ Elev Angle = 43,0 deg.
 Front/Sidelobe 12,52 dB