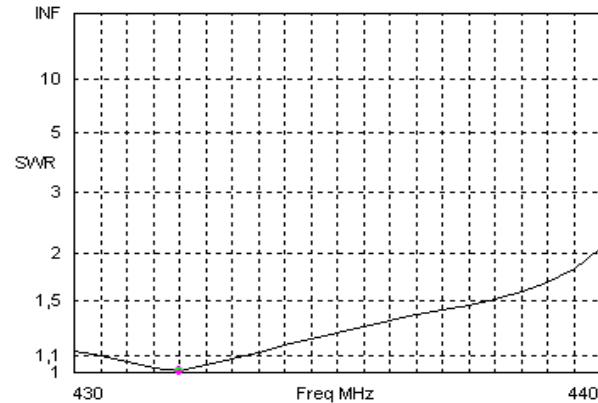


Bausatz 10 ele Yagi 432 MHz mit 2,02m Boom im 28 Ohm Design
Antenna kit 10 ele Yagi 432 MHz with 2,02m boom in 28 Ohm Design

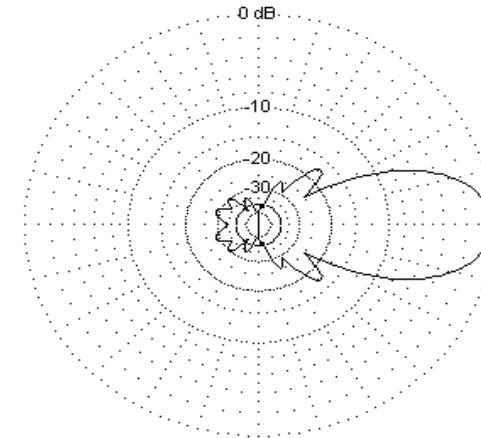
Antennenabmessungen / Dimensions table			
	Durchmesser Diameter (mm)	Länge / Length (mm)	Position (mm)
Reflektor / Reflector	8	330	0
Strahler / Radiator	10	314	140
Direktor 1 / Director 1	8	302	235
Direktor 2 / Director 2	8	291	425
Direktor 3 / Director 3	8	285	650
Direktor 4 / Director 4	8	277	920
Direktor 5 / Director 5	8	274	1205
Direktor 6 / Director 6	8	274	1495
Direktor 7 / Director 7	8	279	1780
Direktor 8 / Director 8	8	274	1995

SWR:



Freq 432 MHz Source # 1
 SWR 1,006 Z0 28 ohms
 Z 27,91 + j 0,144 ohms
 Refl Coeff 0,003004 at 120,85 deg.

Azimuth:



EZNEC-M

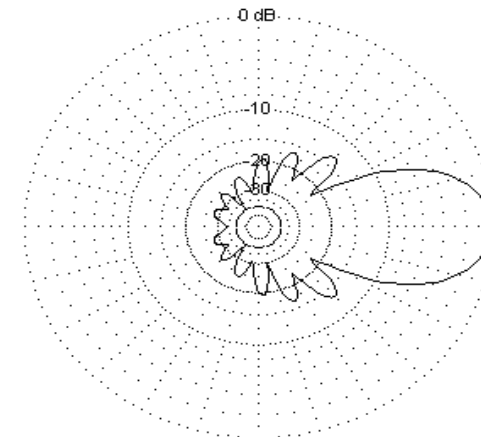
Azimuth Plot
 Elevation Angle 0,0 deg.
 Outer Ring 13,1dBref

Cursor Az 0,0 deg.
 Gain 13,1 dBref
 0,0 dBmax

Slice Max Gain 13,1 dBref @ Az Angle = 0,0 deg.
 Front/Back 33,99 dB
 Beamwidth 32,0 deg.; -3dB @ 344,0, 16,0 deg.
 Sidelobe Gain -3,89 dBref @ Az Angle = 44,0 deg.
 Front/Sidelobe 16,99 dB

432,2 MHz

Elevation:



EZNEC-M

Elevation Plot
 Azimuth Angle 0,0 deg.
 Outer Ring 13,1dBref

Cursor Elev 0,0 deg.
 Gain 13,1 dBref
 0,0 dBmax

Slice Max Gain 13,1 dBref @ Elev Angle = 0,0 deg.
 Front/Back 33,99 dB
 Beamwidth 34,4 deg.; -3dB @ 342,8, 17,2 deg.
 Sidelobe Gain -0,04 dBref @ Elev Angle = 45,0 deg.
 Front/Sidelobe 13,14 dB

432,2 MHz