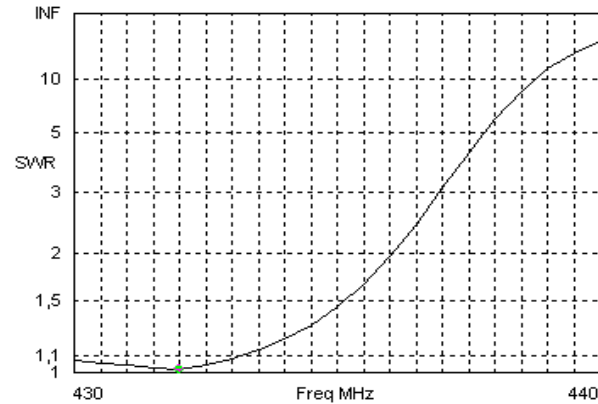


Bausatz 12 ele Yagi 432 MHz mit 2,50m Boom im 28 Ohm Design
Antenna kit 12 ele Yagi 432 MHz with 2,50m boom in 28 Ohm Design

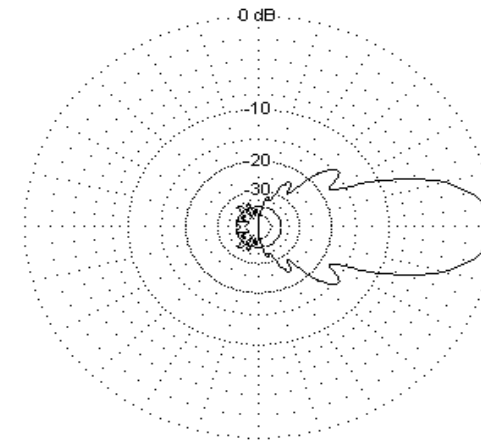
Antennenabmessungen / Dimensions table			
	Durchmesser Diameter (mm)	Länge / Length (mm)	Position (mm)
Reflektor / Reflector	8	334	0
Strahler / Radiator	12	323	115
Direktor 1 / Director 1	8	310	175
Direktor 2 / Director 2	8	294	345
Direktor 3 / Director 3	8	287	570
Direktor 4 / Director 4	8	280	845
Direktor 5 / Director 5	8	278	1130
Direktor 6 / Director 6	8	276	1415
Direktor 7 / Director 7	8	276	1700
Direktor 8 / Director 8	8	274	1985
Direktor 9 / Director 9	8	280	2255
Direktor 10 / Director 10	8	263	2480

SWR:



Freq 432 MHz Source # 1
 SWR 1,019 Z0 28 ohms
 Z 28,38 - j 0,3649 ohms
 Refl Coeff 0,009375 at -43,29 deg.

Azimuth:



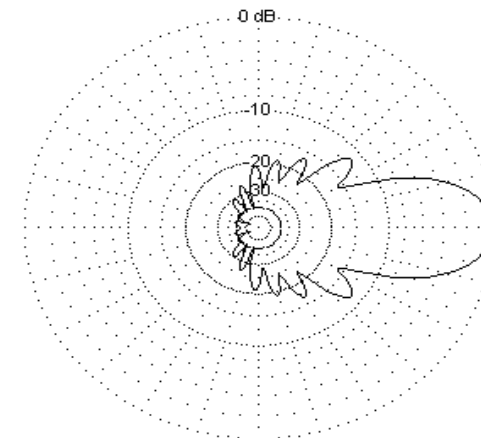
EZNEC-M

Azimuth Plot
 Elevation Angle 0,0 deg.
 Outer Ring 13,83dBref

Cursor Az 0,0 deg.
 Gain 13,83 dBref
 0,0 dBmax

Slice Max Gain 13,83 dBref @ Az Angle = 0,0 deg.
 Front/Back 43,99 dB
 Beamwidth 28,2 deg.; -3dB @ 345,9, 14,1 deg.
 Sidelobe Gain -0,53 dBref @ Az Angle = 322,0 deg.
 Front/Sidelobe 14,36 dB

Elevation:



EZNEC-M

Elevation Plot
 Azimuth Angle 0,0 deg.
 Outer Ring 13,83dBref

Cursor Elev 0,0 deg.
 Gain 13,83 dBref
 0,0 dBmax

Slice Max Gain 13,83 dBref @ Elev Angle = 0,0 deg.
 Front/Back 43,99 dB
 Beamwidth 29,6 deg.; -3dB @ 345,2, 14,8 deg.
 Sidelobe Gain 2,28 dBref @ Elev Angle = 39,0 deg.
 Front/Sidelobe 11,55 dB