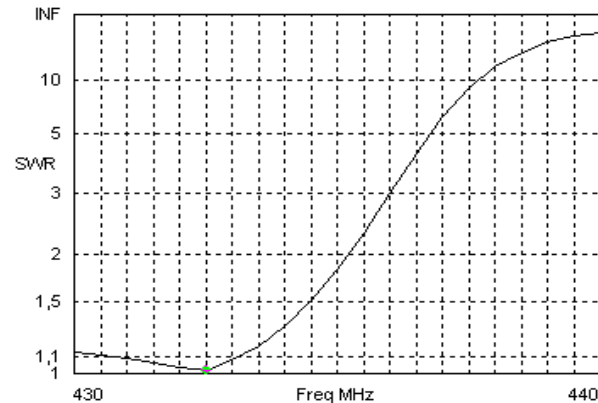


**Bausatz 13 ele Yagi 432 MHz mit 3,00m Boom im 28 Ohm Design**  
**Antenna kit 13 ele Yagi 432 MHz with 3,00m boom in 28 Ohm Design**

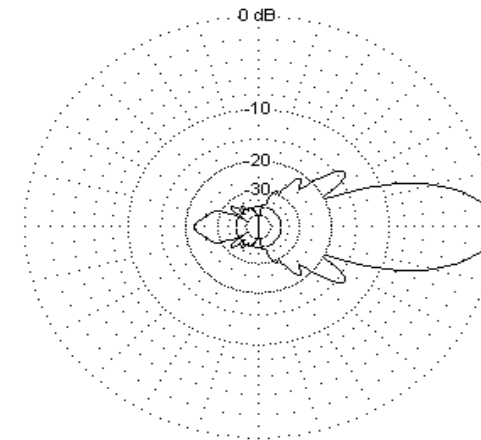
Antennenabmessungen / Dimensions table			
	Durchmesser Diameter (mm)	Länge / Length (mm)	Position (mm)
Reflektor / Reflector	8	333	0
Strahler / Radiator	12	312	135
Direktor 1 / Director 1	8	305	235
Direktor 2 / Director 2	8	291	440
Direktor 3 / Director 3	8	283	680
Direktor 4 / Director 4	8	277	960
Direktor 5 / Director 5	8	273	1260
Direktor 6 / Director 6	8	271	1560
Direktor 7 / Director 7	8	269	1875
Direktor 8 / Director 8	8	271	2180
Direktor 9 / Director 9	8	275	2480
Direktor 10 / Director 10	8	280	2745
Direktor 11 / Director 11	8	272	2980

**SWR:**



Freq 432,5 MHz Source # 1  
 SWR 1,016 Z0 28 ohms  
 Z 28,03 - j 0,438 ohms  
 Refl Coeff 0,007832 at -86,18 deg.

**Azimuth:**



EZNEC-M

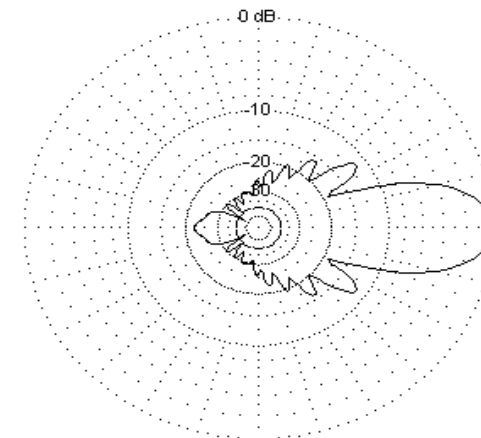
Azimuth Plot  
 Elevation Angle 0,0 deg.  
 Outer Ring 14,62dBref

Cursor Az 0,0 deg.  
 Gain 14,62 dBref  
 0,0 dBmax

Slice Max Gain 14,62 dBref @ Az Angle = 0,0 deg.  
 Front/Back 22,23 dB  
 Beamwidth 25,4 deg.; -3dB @ 347,3, 12,7 deg.  
 Sidelobe Gain 0,85 dBref @ Az Angle = 325,0 deg.  
 Front/Sidelobe 13,77 dB

432,2 MHz

**Elevation:**



EZNEC-M

Elevation Plot  
 Azimuth Angle 0,0 deg.  
 Outer Ring 14,62dBref

Cursor Elev 0,0 deg.  
 Gain 14,62 dBref  
 0,0 dBmax

Slice Max Gain 14,62 dBref @ Elev Angle = 0,0 deg.  
 Front/Back 22,23 dB  
 Beamwidth 26,6 deg.; -3dB @ 346,7, 13,3 deg.  
 Sidelobe Gain 3,17 dBref @ Elev Angle = 324,0 deg.  
 Front/Sidelobe 11,45 dB

432,2 MHz