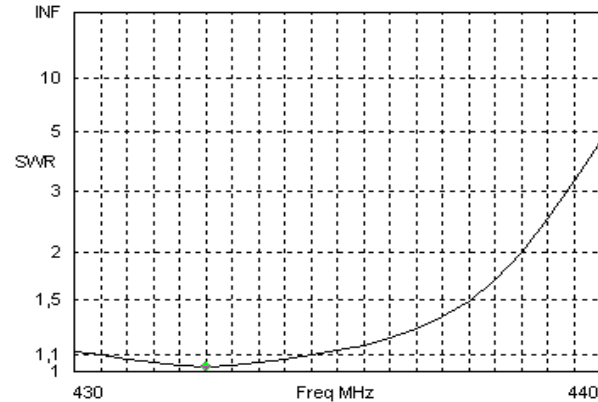


**Bausatz 14 ele Yagi 432 MHz mit 3,11m Boom im 28 Ohm Design**  
**Antenna kit 14 ele Yagi 432 MHz with 3,11m boom in 28 Ohm Design**

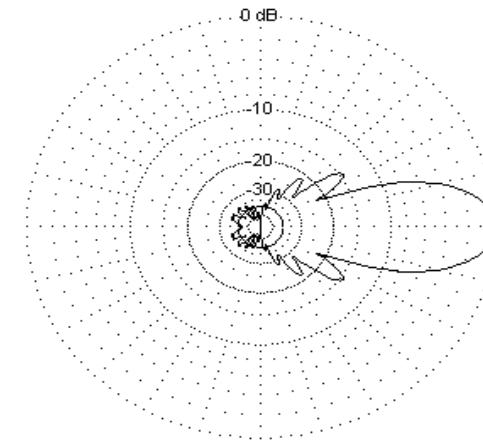
Antennenabmessungen / Dimensions table			
	Durchmesser Diameter (mm)	Länge / Length (mm)	Position (mm)
Reflektor / Reflector	8	336	0
Strahler / Radiator	12	322	115
Direktor 1 / Director 1	8	309	175
Direktor 2 / Director 2	8	294	340
Direktor 3 / Director 3	8	287	565
Direktor 4 / Director 4	8	280	830
Direktor 5 / Director 5	8	276	1115
Direktor 6 / Director 6	8	273	1410
Direktor 7 / Director 7	8	272	1705
Direktor 8 / Director 8	8	270	2000
Direktor 9 / Director 9	8	270	2300
Direktor 10 / Director 10	8	272	2595
Direktor 11 / Director 11	8	280	2860
Direktor 12 / Director 12	8	266	3085

**SWR:**



Freq 432,5 MHz Source # 1  
 SWR 1,03 Z0 28 ohms  
 Z 27,38 + j 0,5427 ohms  
 Refl Coeff 0,01486 at 138,19 deg.

**Azimuth:**



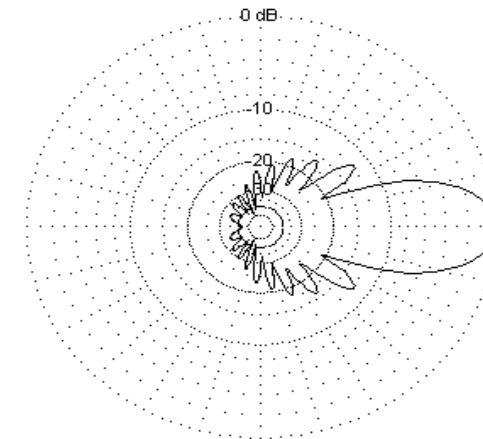
EZNEC-M

Azimuth Plot  
 Elevation Angle 0,0 deg.  
 Outer Ring 14,68dBref

Cursor Az 0,0 deg.  
 Gain 14,68 dBref  
 0,0 dBmax

Slice Max Gain 14,68 dBref @ Az Angle = 0,0 deg.  
 Front/Back 43,03 dB  
 Beamwidth 26,2 deg.; -3dB @ 346,9, 13,1 deg.  
 Sidelobe Gain 0,21 dBref @ Az Angle = 325,0 deg.  
 Front/Sidelobe 14,48 dB

**Elevation:**



EZNEC-M

Elevation Plot  
 Azimuth Angle 0,0 deg.  
 Outer Ring 14,68dBref

Cursor Elev 0,0 deg.  
 Gain 14,68 dBref  
 0,0 dBmax

Slice Max Gain 14,68 dBref @ Elev Angle = 0,0 deg.  
 Front/Back 43,03 dB  
 Beamwidth 27,4 deg.; -3dB @ 346,3, 13,7 deg.  
 Sidelobe Gain 2,54 dBref @ Elev Angle = 324,0 deg.  
 Front/Sidelobe 12,15 dB