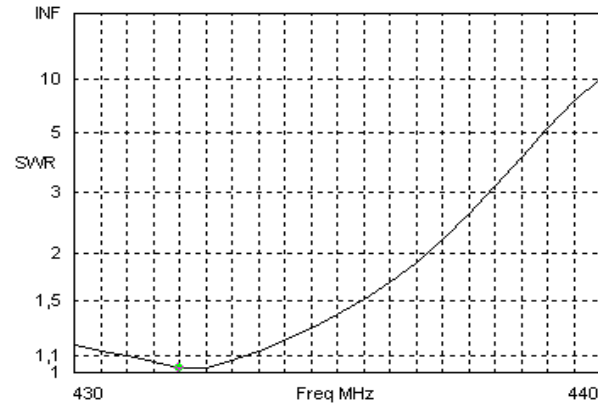


Bausatz 17 ele Yagi 432 MHz mit 4,04m Boom im 28 Ohm Design
Antenna kit 17 ele Yagi 432 MHz with 4,04m boom in 28 Ohm Design

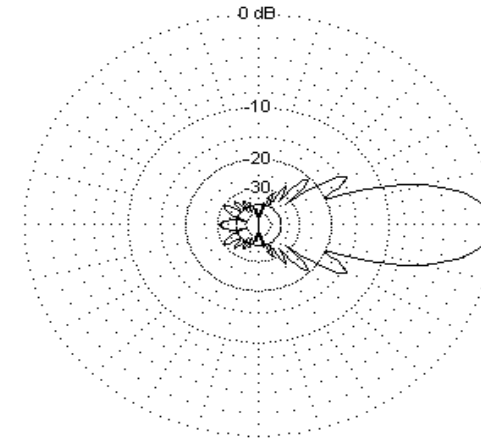
Antennenabmessungen / Dimensions table			
	Durchmesser Diameter (mm)	Länge / Length (mm)	Position (mm)
Reflektor / Reflector	8	336	0
Strahler / Radiator	12	322	115
Direktor 1 / Director 1	8	307	175
Direktor 2 / Director 2	8	293	345
Direktor 3 / Director 3	8	286	570
Direktor 4 / Director 4	8	279	840
Direktor 5 / Director 5	8	275	1125
Direktor 6 / Director 6	8	272	1425
Direktor 7 / Director 7	8	271	1725
Direktor 8 / Director 8	8	270	2025
Direktor 9 / Director 9	8	268	2325
Direktor 10 / Director 10	8	267	2625
Direktor 11 / Director 11	8	267	2925
Direktor 12 / Director 12	8	265	3225
Direktor 13 / Director 13	8	269	3525
Direktor 14 / Director 14	8	269	3795
Direktor 15 / Director 15	8	265	4020

SWR:



Freq 432 MHz Source # 1
 SWR 1,025 Z0 28 ohms
 Z 28,1 - j 0,691 ohms
 Refl Coeff 0,01244 at -81,17 deg.

Azimuth:



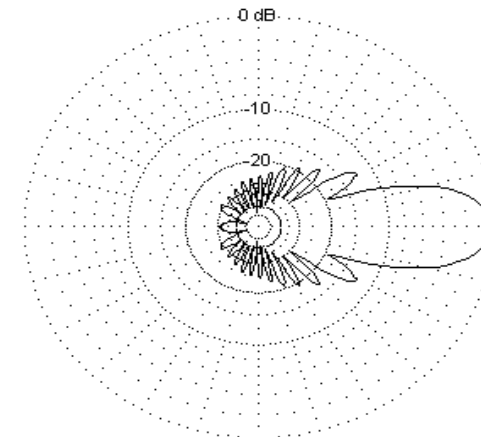
EZNEC-M

Azimuth Plot
 Elevation Angle 0,0 deg.
 Outer Ring 15,67dBref

432,2 MHz
 Cursor Az 0,0 deg.
 Gain 15,67 dBref
 0,0 dBmax

Slice Max Gain 15,67 dBref @ Az Angle = 0,0 deg.
 Front/Back 31,08 dB
 Beamwidth 23,4 deg.; -3dB @ 348,3, 11,7 deg.
 Sidelobe Gain 1,53 dBref @ Az Angle = 31,0 deg.
 Front/Sidelobe 14,14 dB

Elevation:



EZNEC-M

Elevation Plot
 Azimuth Angle 0,0 deg.
 Outer Ring 15,67dBref

432,2 MHz
 Cursor Elev 0,0 deg.
 Gain 15,67 dBref
 0,0 dBmax

Slice Max Gain 15,67 dBref @ Elev Angle = 0,0 deg.
 Front/Back 31,08 dB
 Beamwidth 24,2 deg.; -3dB @ 347,9, 12,1 deg.
 Sidelobe Gain 3,27 dBref @ Elev Angle = 31,0 deg.
 Front/Sidelobe 12,4 dB