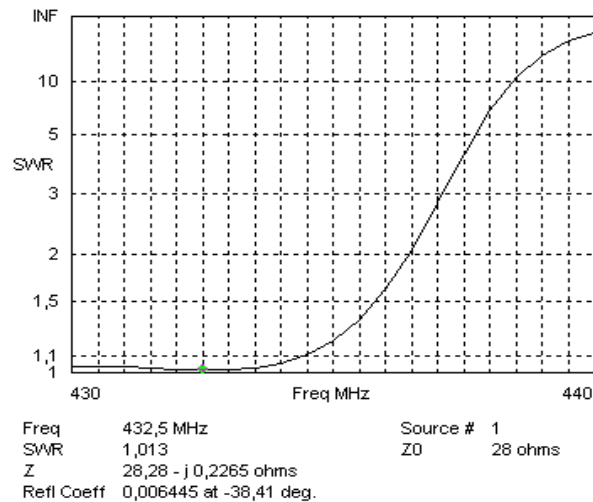


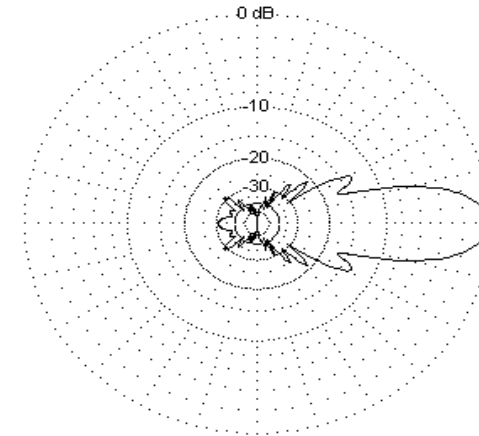
Bausatz 19 ele Yagi 432 MHz mit 4,64m Boom im 28 Ohm Design
Antenna kit 19 ele Yagi 432 MHz with 4,64m boom in 28 Ohm Design

Antennenabmessungen / Dimensions table			
	Durchmesser Diameter (mm)	Länge / Length (mm)	Position (mm)
Reflektor / Reflector	8	337	0
Strahler / Radiator	12	326	115
Direktor 1 / Director 1	8	310	175
Direktor 2 / Director 2	8	295	345
Direktor 3 / Director 3	8	287	570
Direktor 4 / Director 4	8	280	840
Direktor 5 / Director 5	8	278	1125
Direktor 6 / Director 6	8	271	1425
Direktor 7 / Director 7	8	272	1725
Direktor 8 / Director 8	8	271	2025
Direktor 9 / Director 9	8	271	2325
Direktor 10 / Director 10	8	271	2625
Direktor 11 / Director 11	8	269	2925
Direktor 12 / Director 12	8	265	3225
Direktor 13 / Director 13	8	267	3525
Direktor 14 / Director 14	8	267	3825
Direktor 15 / Director 15	8	265	4125
Direktor 16 / Director 16	8	267	4395
Direktor 17 / Director 17	8	263	4620

SWR:



Azimuth:



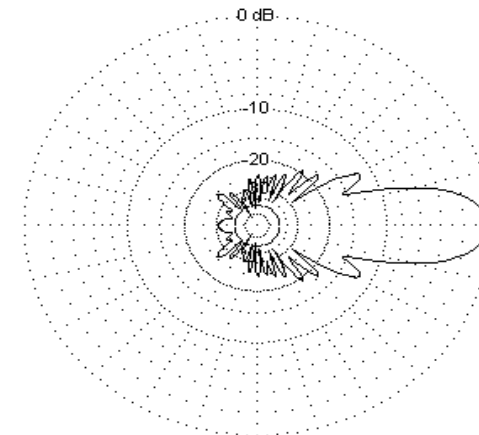
EZNEC-M

Azimuth Plot
 Elevation Angle 0,0 deg.
 Outer Ring 16,15dBref

432,2 MHz
 Cursor Az 0,0 deg.
 Gain 16,15 dBref
 0,0 dBmax

Slice Max Gain 16,15 dBref @ Az Angle = 0,0 deg.
 Front/Back 30,73 dB
 Beamwidth 21,6 deg.; -3dB @ 349,2, 10,8 deg.
 Sidelobe Gain 2,87 dBref @ Az Angle = 28,0 deg.
 Front/Sidelobe 13,27 dB

Elevation:



EZNEC-M

Elevation Plot
 Azimuth Angle 0,0 deg.
 Outer Ring 16,15dBref

432,2 MHz
 Cursor Elev 0,0 deg.
 Gain 16,15 dBref
 0,0 dBmax

Slice Max Gain 16,15 dBref @ Elev Angle = 0,0 deg.
 Front/Back 30,73 dB
 Beamwidth 22,4 deg.; -3dB @ 348,8, 11,2 deg.
 Sidelobe Gain 4,31 dBref @ Elev Angle = 29,0 deg.
 Front/Sidelobe 11,84 dB