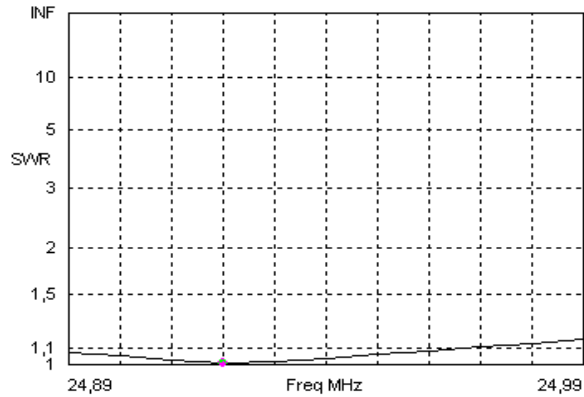


**Bausatz 2 ele Yagi 24,9 MHz mit 1,25m Boom im 28 Ohm Design**  
**Antenna kit 2 ele Yagi 24,9 MHz with 1,25m boom in 28 Ohm Design**

Antennenabmessungen je Antennenhälfte				
Dimensions table for each antenna half				
	Position (mm)	20 x 1,5mm	16 x 1,5mm	12 x 1mm
Strahler / Radiator	0	500	1300	1233
Direktor / Director	1150	500	1300	1030

Gewinn / Gain 4,37 dBD @ 24,94 MHz  
 V/R Verhältnis / F/B ratio 15,82 dB @ 24,94 MHz

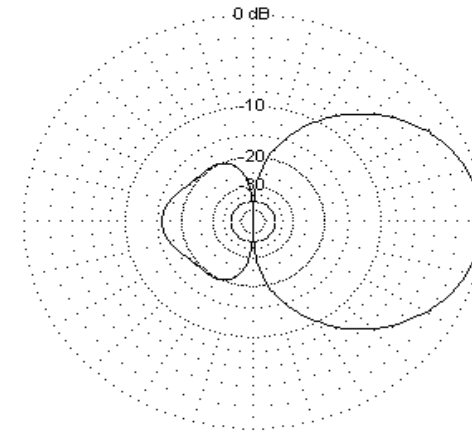
SWR:



Freq 24,92 MHz Source # 1  
 SWR 1,007 Z0 28 ohms  
 Z 28,05 - j 0,2001 ohms  
 Refl Coeff 0,003682 at -75,61 deg.

Horizontales Richtdiagramm / Azimuth plot

EZNEC-M



24,94 MHz

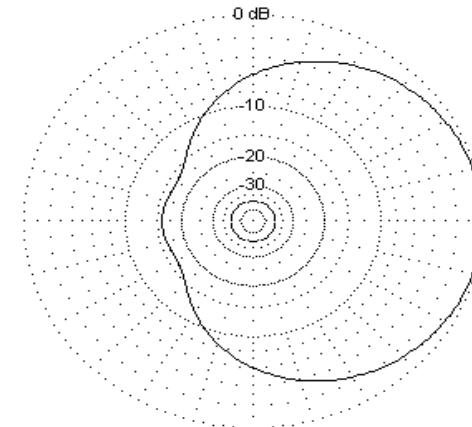
Azimuth Plot  
 Elevation Angle 0,0 deg.  
 Outer Ring 4,37dBref

Cursor Az 0,0 deg.  
 Gain 4,37 dBref  
 0,0 dBmax

Slice Max Gain 4,37 dBref @ Az Angle = 0,0 deg.  
 Front/Back 15,82 dB  
 Beamwidth 68,2 deg.; -3dB @ 325,9, 34,1 deg.  
 Sidelobe Gain -11,45 dBref @ Az Angle = 180,0 deg.  
 Front/Sidelobe 15,82 dB

Vertikales Richtdiagramm / Elevation plot

EZNEC-M



24,94 MHz

Elevation Plot  
 Azimuth Angle 0,0 deg.  
 Outer Ring 4,37dBref

Cursor Elev 0,0 deg.  
 Gain 4,37 dBref  
 0,0 dBmax

Slice Max Gain 4,37 dBref @ Elev Angle = 0,0 deg.  
 Front/Back 15,82 dB  
 Beamwidth 133,4 deg.; -3dB @ 293,3, 66,7 deg.  
 Sidelobe Gain -11,45 dBref @ Elev Angle = 180,0 deg.  
 Front/Sidelobe 15,82 dB