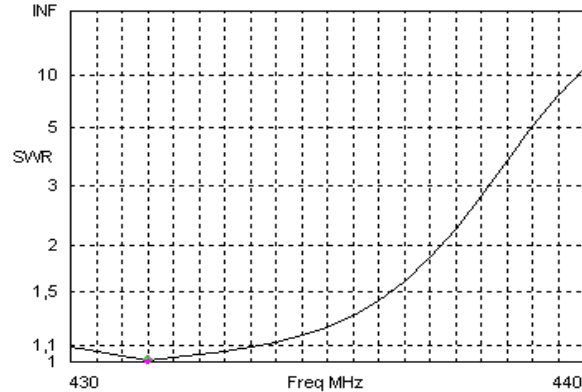


**Bausatz 21 ele Yagi 432 MHz mit 5,24m Boom im 28 Ohm Design**  
**Antenna kit 21 ele Yagi 432 MHz with 5,24m boom in 28 Ohm Design**

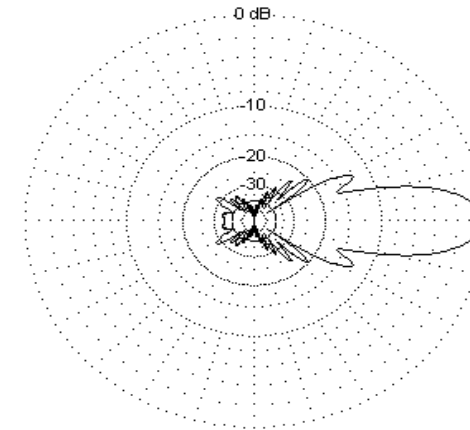
Antennenabmessungen / Dimensions table			
	Durchmesser Diameter (mm)	Länge / Length (mm)	Position (mm)
Reflektor / Reflector	8	334	0
Strahler / Radiator	12	322	115
Direktor 1 / Director 1	8	308	175
Direktor 2 / Director 2	8	293	345
Direktor 3 / Director 3	8	287	570
Direktor 4 / Director 4	8	280	840
Direktor 5 / Director 5	8	276	1125
Direktor 6 / Director 6	8	273	1425
Direktor 7 / Director 7	8	272	1725
Direktor 8 / Director 8	8	271	2025
Direktor 9 / Director 9	8	272	2325
Direktor 10 / Director 10	8	272	2625
Direktor 11 / Director 11	8	273	2925
Direktor 12 / Director 12	8	268	3225
Direktor 13 / Director 13	8	267	3525
Direktor 14 / Director 14	8	265	3825
Direktor 15 / Director 15	8	264	4125
Direktor 16 / Director 16	8	265	4425
Direktor 17 / Director 17	8	265	4725
Direktor 18 / Director 18	8	264	4995
Direktor 19 / Director 19	8	261	5220

**SWR:**



Freq 431,5 MHz Source # 1  
 SWR 1,011 Z0 28 ohms  
 Z 27,69 + j 0,06615 ohms  
 Refl Coeff 0,005606 at 167,7 deg.

**Azimuth:**



EZNEC-M

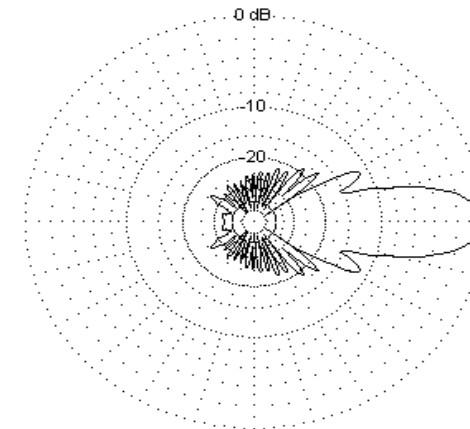
432,2 MHz

Azimuth Plot  
 Elevation Angle 0,0 deg.  
 Outer Ring 16,51 dBref

Cursor Az 0,0 deg.  
 Gain 16,51 dBref  
 0,0 dBmax

Slice Max Gain 16,51 dBref @ Az Angle = 0,0 deg.  
 Front/Back 35,09 dB  
 Beamwidth 20,6 deg.; -3dB @ 349,7, 10,3 deg.  
 Sidelobe Gain 4,02 dBref @ Az Angle = 27,0 deg.  
 Front/Sidelobe 12,48 dB

**Elevation:**



EZNEC-M

432,2 MHz

Elevation Plot  
 Azimuth Angle 0,0 deg.  
 Outer Ring 16,51 dBref

Cursor Elev 0,0 deg.  
 Gain 16,51 dBref  
 0,0 dBmax

Slice Max Gain 16,51 dBref @ Elev Angle = 0,0 deg.  
 Front/Back 35,09 dB  
 Beamwidth 21,0 deg.; -3dB @ 349,5, 10,5 deg.  
 Sidelobe Gain 5,33 dBref @ Elev Angle = 27,0 deg.  
 Front/Sidelobe 11,18 dB