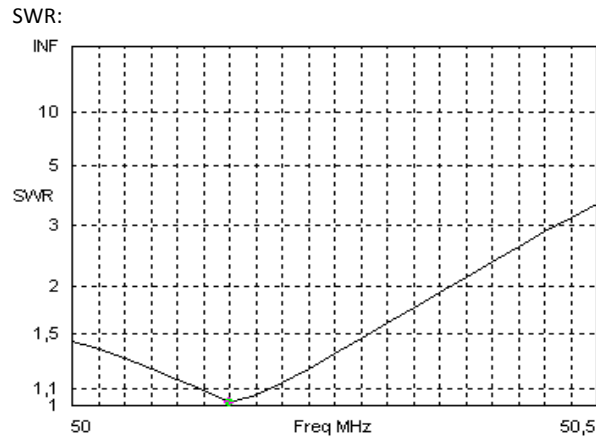


Bausatz 4 ele Yagi 50 MHz mit 2,90m Boom im 12,5 Ohm Design
Antenna kit 4 ele Yagi 50 MHz with 2,90m boom in 12,5 Ohm Design

Antennenabmessungen / Dimensions table			
	Durchmesser / Diameter (mm)	Länge / Length (mm)	Position (mm)
Reflektor / Reflector	12	3010	0
Strahler / Radiator	12	2878	575
Direktor 1 / Director 1	12	2782	1455
Direktor 2 / Director 2	12	2702	2850

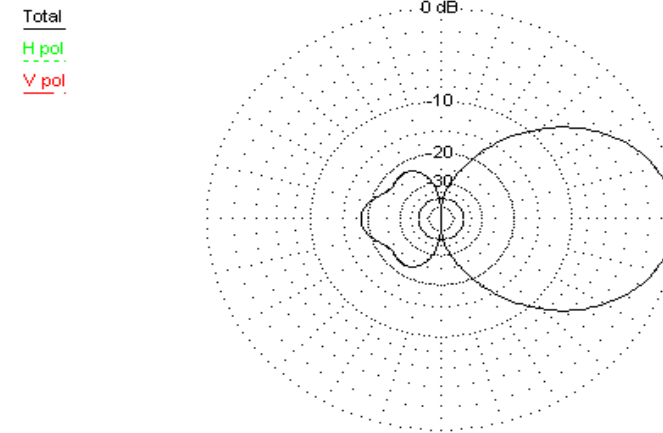
Alle Elementlängen gelten von Spitze zu Spitze, inklusive der Unterbrechung in der Mitte. All element lengths are given from tip to tip, including the spacing in the middle.



Freq 50,15 MHz Source # 1
 SWR 1,015 Z0 12,5 ohms
 Z 12,65 - j 0,1125 ohms
 Refl Coeff 0,007414 at -36,87 deg.

Horizontales Richtdiagramm / Azimuth plot

EZNEC-M



Azimuth Plot
 Elevation Angle 0,0 deg.
 Outer Ring 7,57dBref

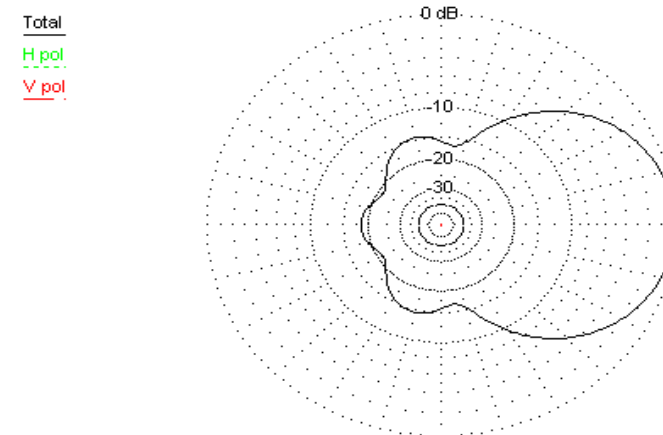
Cursor Az 0,0 deg.
 Gain 7,57 dBref
 0,0 dBmax

Slice Max Gain 7,57 dBref @ Az Angle = 0,0 deg.
 Front/Back 18,33 dB
 Beamwidth 54,4 deg.; -3dB @ 332,8, 27,2 deg.
 Sidelobe Gain -10,76 dBref @ Az Angle = 180,0 deg.
 Front/Sidelobe 18,33 dB

50,15 MHz

Vertikales Richtdiagramm / Elevation plot

EZNEC-M



Elevation Plot
 Azimuth Angle 0,0 deg.
 Outer Ring 7,57dBref

Cursor Elev 0,0 deg.
 Gain 7,57 dBref
 0,0 dBmax

Slice Max Gain 7,57 dBref @ Elev Angle = 0,0 deg.
 Front/Back 18,33 dB
 Beamwidth 73,2 deg.; -3dB @ 323,4, 36,6 deg.
 Sidelobe Gain -6,92 dBref @ Elev Angle = 106,0 deg.
 Front/Sidelobe 14,48 dB

50,15 MHz