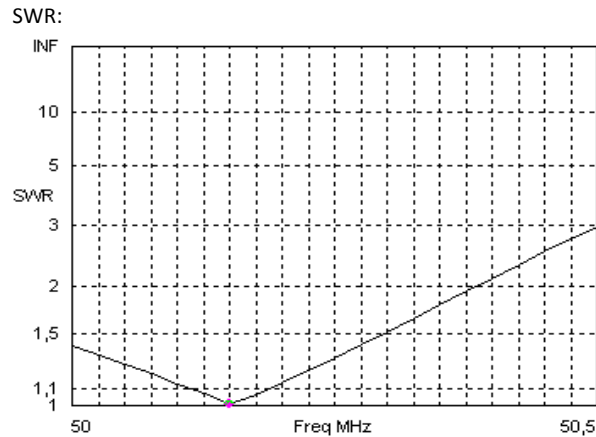


Bausatz 4 ele Yagi 50 MHz mit 3,63m Boom im 12,5 Ohm Design
Antenna kit 4 ele Yagi 50 MHz with 3,63m boom in 12,5 Ohm Design

Antennenabmessungen / Dimensions table			
	Durchmesser / Diameter (mm)	Länge / Length (mm)	Position (mm)
Reflektor / Reflector	12	2980	0
Strahler / Radiator	12	2818	750
Direktor 1 / Director 1	12	2746	2075
Direktor 2 / Director 2	12	2686	3580

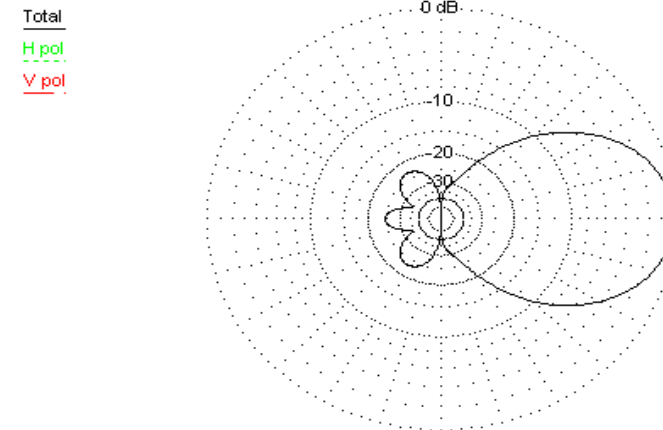
Alle Elementlängen gelten von Spitze zu Spitze, inklusive der Unterbrechung in der Mitte. All element lengths are given from tip to tip, including the spacing in the middle.



Freq 50,15 MHz Source # 1
 SWR 1,007 Z0 12,5 ohms
 Z 12,59 - j 0,01017 ohms
 Refl Coeff 0,003563 at -6,51 deg.

Horizontales Richtdiagramm / Azimuth plot

EZNEC-M



50,15 MHz

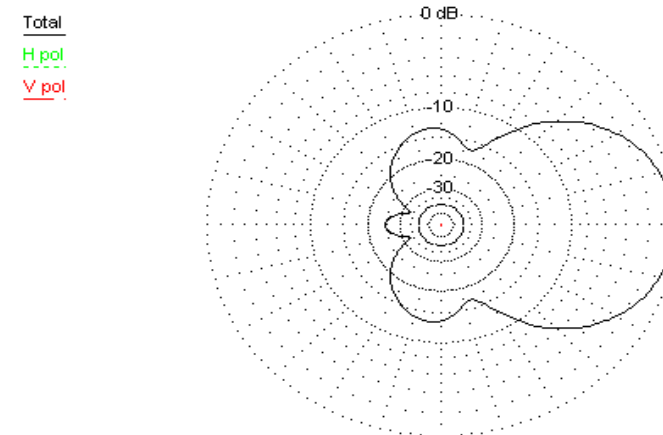
Azimuth Plot
 Elevation Angle 0,0 deg.
 Outer Ring 8,24dBref

Cursor Az 0,0 deg.
 Gain 8,24 dBref
 0,0 dBmax

Slice Max Gain 8,24 dBref @ Az Angle = 0,0 deg.
 Front/Back 24,64 dB
 Beamwidth 51,4 deg.; -3dB @ 334,3, 25,7 deg.
 Sidelobe Gain -14,83 dBref @ Az Angle = 125,0 deg.
 Front/Sidelobe 23,07 dB

Vertikales Richtdiagramm / Elevation plot

EZNEC-M



50,15 MHz

Elevation Plot
 Azimuth Angle 0,0 deg.
 Outer Ring 8,24dBref

Cursor Elev 0,0 deg.
 Gain 8,24 dBref
 0,0 dBmax

Slice Max Gain 8,24 dBref @ Elev Angle = 0,0 deg.
 Front/Back 24,64 dB
 Beamwidth 65,4 deg.; -3dB @ 327,3, 32,7 deg.
 Sidelobe Gain -5,04 dBref @ Elev Angle = 96,0 deg.
 Front/Sidelobe 13,28 dB