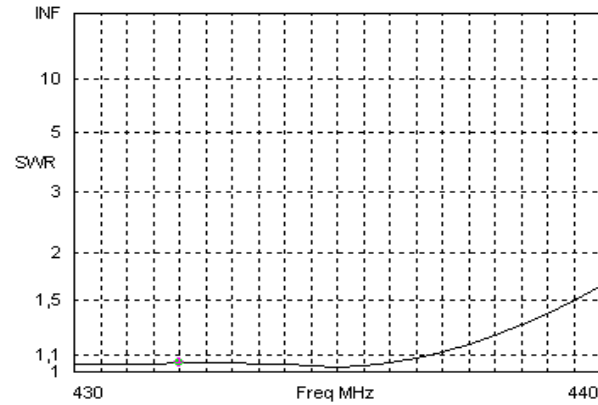


**Bausatz 5 ele Yagi 432 MHz mit 0,65m Boom im 28 Ohm Design**  
**Antenna kit 5 ele Yagi 432 MHz with 0,65m boom in 28 Ohm Design**

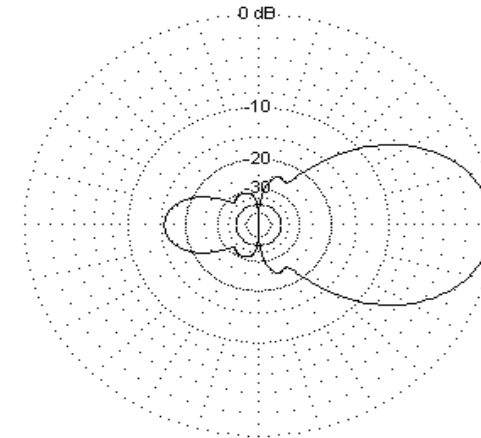
Antennenabmessungen / Dimensions table			
	Durchmesser Diameter (mm)	Länge / Length (mm)	Position (mm)
Reflektor / Reflector	8	334	0
Strahler / Radiator	10	308	135
Direktor 1 / Director 1	8	297	260
Direktor 2 / Director 2	8	292	460
Direktor 3 / Director 3	8	284	630

**SWR:**



Freq 432 MHz Source # 1  
 SWR 1,051 Z0 28 ohms  
 Z 29,4 + j 0,2427 ohms  
 Refl Coeff 0,0247 at 9,61 deg.

**Azimuth:**



EZNEC-M

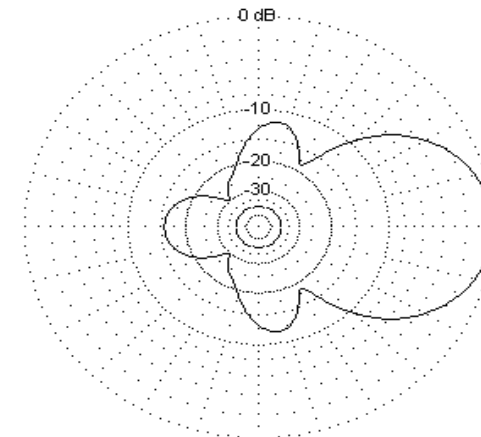
432,2 MHz

Azimuth Plot  
 Elevation Angle 0,0 deg.  
 Outer Ring 9,18dBref

Cursor Az 0,0 deg.  
 Gain 9,18 dBref  
 0,0 dBmax

Slice Max Gain 9,18 dBref @ Az Angle = 0,0 deg.  
 Front/Back 15,59 dB  
 Beamwidth 47,4 deg.; -3dB @ 336,3, 23,7 deg.  
 Sidelobe Gain -6,41 dBref @ Az Angle = 180,0 deg.  
 Front/Sidelobe 15,59 dB

**Elevation:**



EZNEC-M

432,2 MHz

Elevation Plot  
 Azimuth Angle 0,0 deg.  
 Outer Ring 9,18dBref

Cursor Elev 0,0 deg.  
 Gain 9,18 dBref  
 0,0 dBmax

Slice Max Gain 9,18 dBref @ Elev Angle = 0,0 deg.  
 Front/Back 15,59 dB  
 Beamwidth 57,2 deg.; -3dB @ 331,4, 28,6 deg.  
 Sidelobe Gain -2,64 dBref @ Elev Angle = 80,0 deg.  
 Front/Sidelobe 11,82 dB