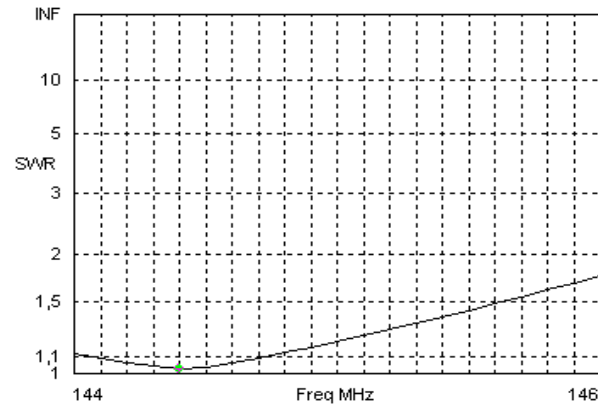


Bausatz 5 ele Yagi 144 MHz mit 1,50m Boom im 50 Ohm Design
Antenna kit 5 ele Yagi 144 MHz with 1,50m boom in 50 Ohm Design

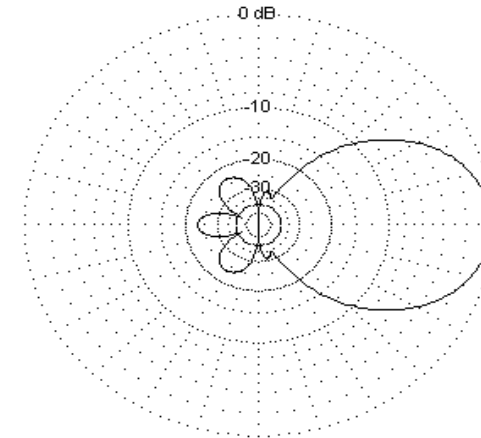
Antennenabmessungen / Dimensions table			
	Durchmesser Diameter (mm)	Länge / Length (mm)	Position (mm)
Reflektor / Reflector	8	1030	0
Strahler / Radiator	8	976	280
Direktor 1 / Director 1	8	926	415
Direktor 2 / Director 2	8	919	950
Direktor 3 / Director 3	8	909	1480

SWR:



Freq 144,4 MHz Source # 1
 SWR 1,026 Z0 50 ohms
 Z 49,19 + j 0,9922 ohms
 Refl Coeff 0,01292 at 128,71 deg.

Azimuth:



EZNEC-M

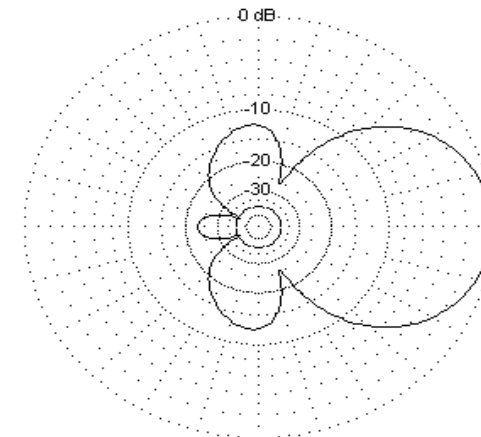
144,3 MHz

Azimuth Plot
 Elevation Angle 0,0 deg.
 Outer Ring 8,53dBref

Cursor Az 0,0 deg.
 Gain 8,53 dBref
 0,0 dBmax

Slice Max Gain 8,53 dBref @ Az Angle = 0,0 deg.
 Front/Back 23,07 dB
 Beamwidth 50,8 deg.; -3dB @ 334,6, 25,4 deg.
 Sidelobe Gain -14,54 dBref @ Az Angle = 180,0 deg.
 Front/Sidelobe 23,07 dB

Elevation:



EZNEC-M

144,3 MHz

Elevation Plot
 Azimuth Angle 0,0 deg.
 Outer Ring 8,53dBref

Cursor Elev 0,0 deg.
 Gain 8,53 dBref
 0,0 dBmax

Slice Max Gain 8,53 dBref @ Elev Angle = 0,0 deg.
 Front/Back 23,07 dB
 Beamwidth 63,8 deg.; -3dB @ 328,1, 31,9 deg.
 Sidelobe Gain -3,85 dBref @ Elev Angle = 94,0 deg.
 Front/Sidelobe 12,38 dB