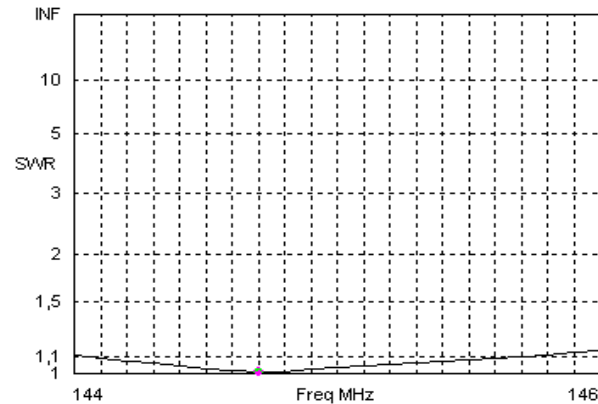


Bausatz 5 ele Yagi 144 MHz mit 1,80m Boom im 28 Ohm Design
Antenna kit 5 ele Yagi 144 MHz with 1,80m boom in 28 Ohm Design

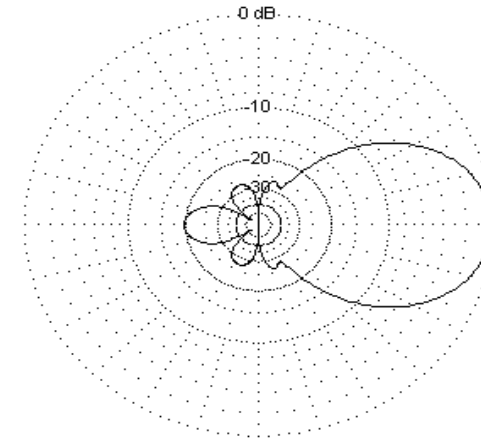
Antennenabmessungen / Dimensions table			
	Durchmesser Diameter (mm)	Länge / Length (mm)	Position (mm)
Reflektor / Reflector	8	1022	0
Strahler / Radiator	10	961	350
Direktor 1 / Director 1	8	926	710
Direktor 2 / Director 2	8	922	1295
Direktor 3 / Director 3	8	893	1780

SWR:



Freq 144,7 MHz Source # 1
 SWR 1,007 Z0 28 ohms
 Z 27,82 - j 0,03122 ohms
 Refl Coeff 0,003343 at -170,33 deg.

Azimuth:



EZNEC-M

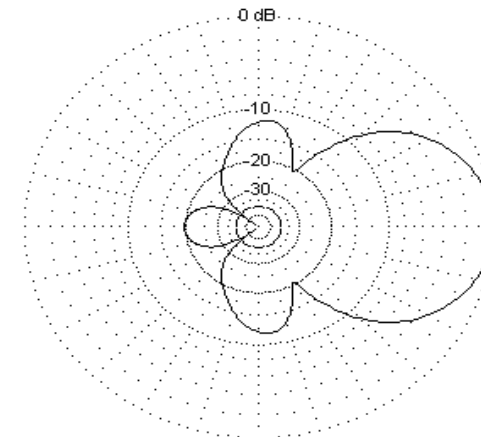
144,3 MHz

Azimuth Plot
 Elevation Angle 0,0 deg.
 Outer Ring 8,91 dBref

Cursor Az 0,0 deg.
 Gain 8,91 dBref
 0,0 dBmax

Slice Max Gain 8,91 dBref @ Az Angle = 0,0 deg.
 Front/Back 19,69 dB
 Beamwidth 48,8 deg.; -3dB @ 335,6, 24,4 deg.
 Sidelobe Gain -10,78 dBref @ Az Angle = 180,0 deg.
 Front/Sidelobe 19,69 dB

Elevation:



EZNEC-M

144,3 MHz

Elevation Plot
 Azimuth Angle 0,0 deg.
 Outer Ring 8,91 dBref

Cursor Elev 0,0 deg.
 Gain 8,91 dBref
 0,0 dBmax

Slice Max Gain 8,91 dBref @ Elev Angle = 0,0 deg.
 Front/Back 19,69 dB
 Beamwidth 59,8 deg.; -3dB @ 330,1, 29,9 deg.
 Sidelobe Gain -2,81 dBref @ Elev Angle = 85,0 deg.
 Front/Sidelobe 11,72 dB