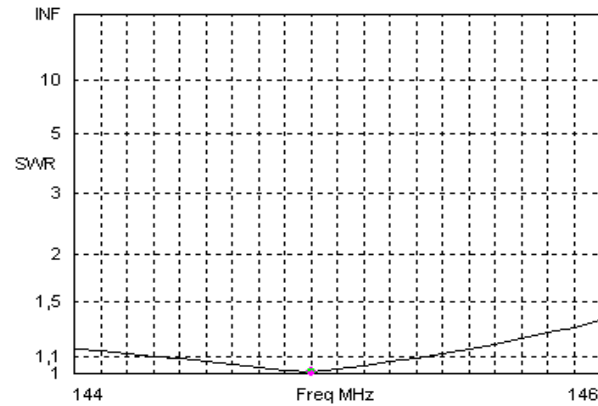


**Bausatz 5 ele Yagi 144 MHz mit 2,0m Boom im 28 Ohm Design**  
**Antenna kit 5 ele Yagi 144 MHz with 2,0m boom in 28 Ohm Design**

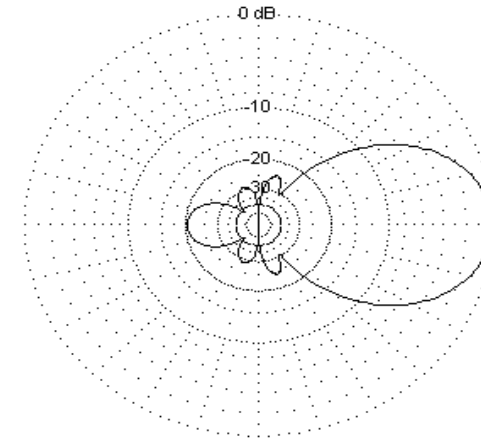
Antennenabmessungen / Dimensions table			
	Durchmesser Diameter (mm)	Länge / Length (mm)	Position (mm)
Reflektor / Reflector	8	1024	0
Strahler / Radiator	10	958	410
Direktor 1 / Director 1	8	919	815
Direktor 2 / Director 2	8	922	1475
Direktor 3 / Director 3	8	888	1970

**SWR:**



Freq 144,9 MHz Source # 1  
 SWR 1,012 Z0 28 ohms  
 Z 27,7 - j 0,1163 ohms  
 Refl Coeff 0,00576 at -158,64 deg.

**Azimuth:**



EZNEC-M

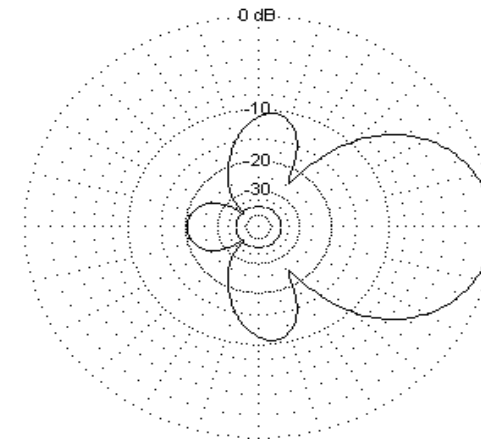
144,3 MHz

Azimuth Plot  
 Elevation Angle 0,0 deg.  
 Outer Ring 9,05dBref

Cursor Az 0,0 deg.  
 Gain 9,05 dBref  
 0,0 dBmax

Slice Max Gain 9,05 dBref @ Az Angle = 0,0 deg.  
 Front/Back 20,39 dB  
 Beamwidth 47,8 deg.; -3dB @ 336,1, 23,9 deg.  
 Sidelobe Gain -11,33 dBref @ Az Angle = 180,0 deg.  
 Front/Sidelobe 20,39 dB

**Elevation:**



EZNEC-M

144,3 MHz

Elevation Plot  
 Azimuth Angle 0,0 deg.  
 Outer Ring 9,05dBref

Cursor Elev 0,0 deg.  
 Gain 9,05 dBref  
 0,0 dBmax

Slice Max Gain 9,05 dBref @ Elev Angle = 0,0 deg.  
 Front/Back 20,39 dB  
 Beamwidth 58,0 deg.; -3dB @ 331,0, 29,0 deg.  
 Sidelobe Gain -1,45 dBref @ Elev Angle = 277,0 deg.  
 Front/Sidelobe 10,5 dB