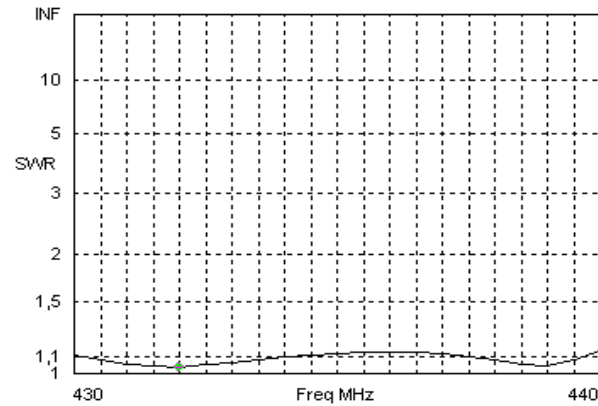


**Bausatz 6 ele Yagi 432 MHz mit 0,87m Boom im 28 Ohm Design**  
**Antenna kit 6 ele Yagi 432 MHz with 0,87m boom in 28 Ohm Design**

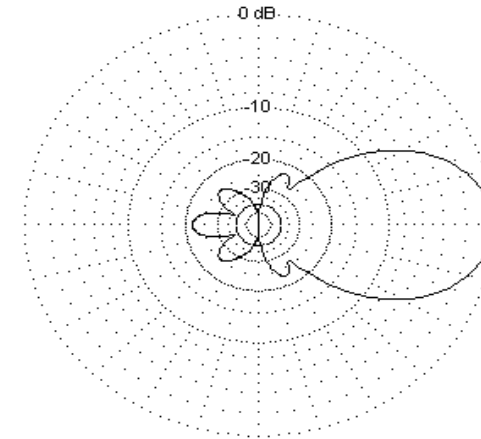
Antennenabmessungen / Dimensions table			
	Durchmesser Diameter (mm)	Länge / Length (mm)	Position (mm)
Reflektor / Reflector	8	332	0
Strahler / Radiator	10	312	120
Direktor 1 / Director 1	8	298	225
Direktor 2 / Director 2	8	287	420
Direktor 3 / Director 3	8	285	645
Direktor 4 / Director 4	8	278	850

**SWR:**



Freq 432 MHz Source # 1  
 SWR 1,038 Z0 28 ohms  
 Z 27,28 + j 0,7308 ohms  
 Refl Coeff 0,01859 at 133,9 deg.

**Azimuth:**



EZNEC-M

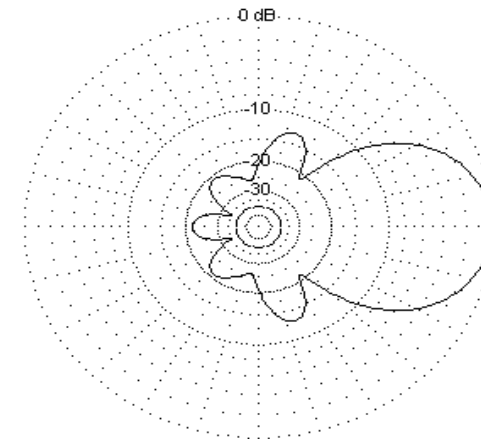
Azimuth Plot  
 Elevation Angle 0,0 deg.  
 Outer Ring 10,16dBref

Cursor Az 0,0 deg.  
 Gain 10,16 dBref  
 0,0 dBmax

Slice Max Gain 10,16 dBref @ Az Angle = 0,0 deg.  
 Front/Back 21,65 dB  
 Beamwidth 44,2 deg.; -3dB @ 337,9, 22,1 deg.  
 Sidelobe Gain -11,49 dBref @ Az Angle = 180,0 deg.  
 Front/Sidelobe 21,65 dB

432,2 MHz

**Elevation:**



EZNEC-M

Elevation Plot  
 Azimuth Angle 0,0 deg.  
 Outer Ring 10,16dBref

Cursor Elev 0,0 deg.  
 Gain 10,16 dBref  
 0,0 dBmax

Slice Max Gain 10,16 dBref @ Elev Angle = 0,0 deg.  
 Front/Back 21,65 dB  
 Beamwidth 51,4 deg.; -3dB @ 334,3, 25,7 deg.  
 Sidelobe Gain -2,73 dBref @ Elev Angle = 70,0 deg.  
 Front/Sidelobe 12,89 dB

432,2 MHz