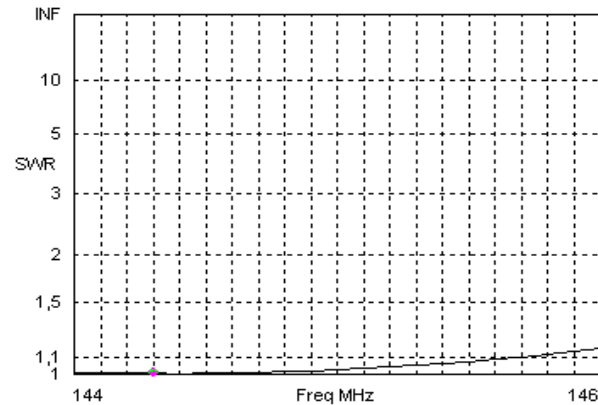


Bausatz 6 ele Yagi 144 MHz mit 2,0m Boom im 50 Ohm Design
Antenna kit 6 ele Yagi 144 MHz with 2,0m boom in 50 Ohm Design

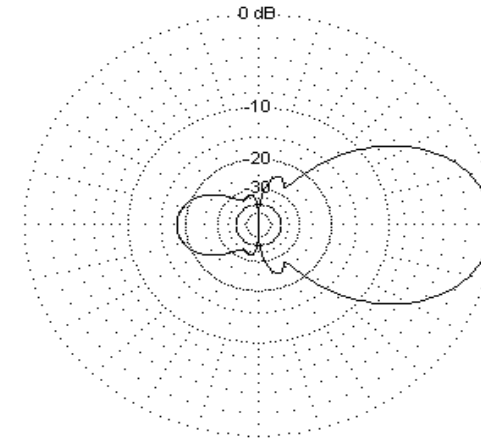
Antennenabmessungen / Dimensions table			
	Durchmesser Diameter (mm)	Länge / Length (mm)	Position (mm)
Reflektor / Reflector	8	1028	0
Strahler / Radiator	8	988	260
Direktor 1 / Director 1	8	932	395
Direktor 2 / Director 2	8	919	845
Direktor 3 / Director 3	8	918	1470
Direktor 4 / Director 4	8	889	1980

SWR:



Freq 144,3 MHz Source # 1
 SWR 1,005 Z0 50 ohms
 Z 49,79 + j 0,07086 ohms
 Refl Coeff 0,002259 at 161,64 deg.

Azimuth:



EZNEC-M

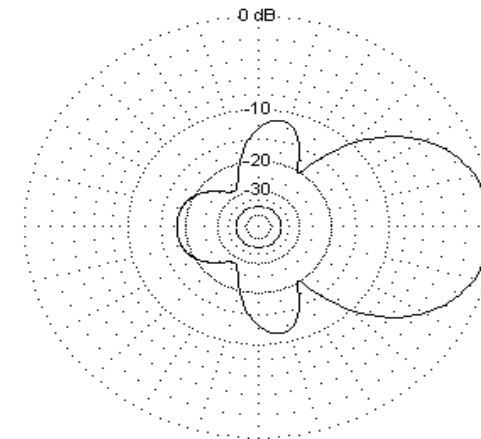
144,3 MHz

Azimuth Plot
 Elevation Angle 0,0 deg.
 Outer Ring 9,3dBref

Cursor Az 0,0 deg.
 Gain 9,3 dBref
 0,0 dBmax

Slice Max Gain 9,3 dBref @ Az Angle = 0,0 deg.
 Front/Back 18,0 dB
 Beamwidth 47,0 deg.; -3dB @ 336,5, 23,5 deg.
 Sidelobe Gain -8,7 dBref @ Az Angle = 180,0 deg.
 Front/Sidelobe 18,0 dB

Elevation:



EZNEC-M

144,3 MHz

Elevation Plot
 Azimuth Angle 0,0 deg.
 Outer Ring 9,3dBref

Cursor Elev 0,0 deg.
 Gain 9,3 dBref
 0,0 dBmax

Slice Max Gain 9,3 dBref @ Elev Angle = 0,0 deg.
 Front/Back 18,0 dB
 Beamwidth 56,4 deg.; -3dB @ 331,8, 28,2 deg.
 Sidelobe Gain -2,14 dBref @ Elev Angle = 281,0 deg.
 Front/Sidelobe 11,44 dB