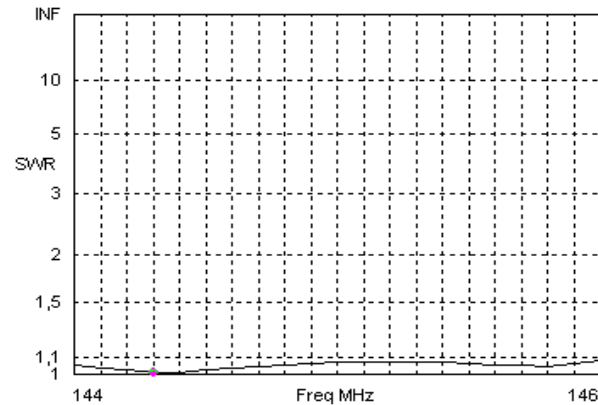


Bausatz 6 ele Yagi 144 MHz mit 2,6m Boom im 28 Ohm Design
Antenna kit 6 ele Yagi 144 MHz with 2,6m boom in 28 Ohm Design

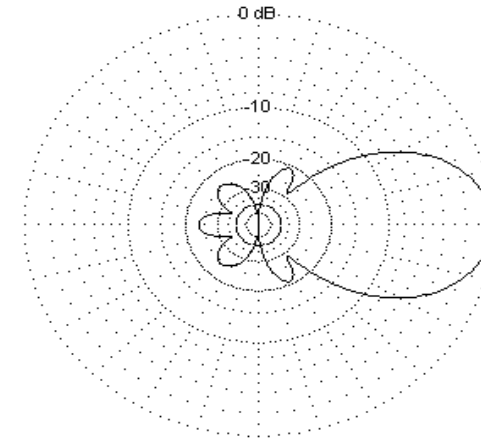
Antennenabmessungen / Dimensions table			
	Durchmesser Diameter (mm)	Länge / Length (mm)	Position (mm)
Reflektor / Reflector	8	1020	0
Strahler / Radiator	10	968	320
Direktor 1 / Director 1	8	927	675
Direktor 2 / Director 2	8	906	1300
Direktor 3 / Director 3	8	906	2020
Direktor 4 / Director 4	8	896	2580

SWR:



Freq 144,3 MHz Source # 1
 SWR 1,009 Z0 28 ohms
 Z 27,75 - j 0,0648 ohms
 Refl Coeff 0,004629 at -165,39 deg.

Azimuth:



EZNEC-M

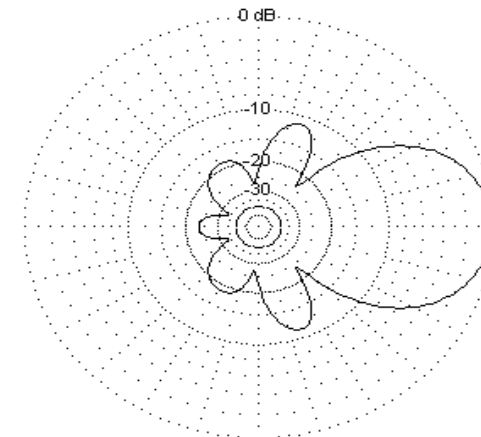
144,3 MHz

Azimuth Plot
 Elevation Angle 0,0 deg.
 Outer Ring 10,14dBref

Cursor Az 0,0 deg.
 Gain 10,14 dBref
 0,0 dBmax

Slice Max Gain 10,14 dBref @ Az Angle = 0,0 deg.
 Front/Back 23,32 dB
 Beamwidth 43,2 deg.; -3dB @ 338,4, 21,6 deg.
 Sidelobe Gain -10,55 dBref @ Az Angle = 297,0 deg.
 Front/Sidelobe 20,69 dB

Elevation:



EZNEC-M

144,3 MHz

Elevation Plot
 Azimuth Angle 0,0 deg.
 Outer Ring 10,14dBref

Cursor Elev 0,0 deg.
 Gain 10,14 dBref
 0,0 dBmax

Slice Max Gain 10,14 dBref @ Elev Angle = 0,0 deg.
 Front/Back 23,32 dB
 Beamwidth 50,0 deg.; -3dB @ 335,0, 25,0 deg.
 Sidelobe Gain -1,13 dBref @ Elev Angle = 69,0 deg.
 Front/Sidelobe 11,27 dB