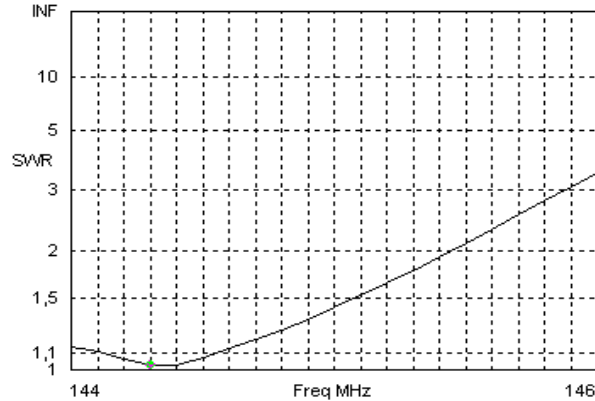


Bausatz 7 ele Yagi 144 MHz mit 3,0m Boom im 50 Ohm Design
Antenna kit 7 ele Yagi 144 MHz with 3,0m boom in 50 Ohm Design

| Antennenabmessungen / Dimensions table | | | |
|--|------------------------------|---------------------|---------------|
| | Durchmesser Diameter (mm) | Länge / Length (mm) | Position (mm) |
| Reflektor / Reflector | 8 | 1020 | 0 |
| Strahler / Radiator | 8 | 974 | 320 |
| Direktor 1 / Director 1 | 8 | 942 | 460 |
| Direktor 2 / Director 2 | 8 | 925 | 935 |
| Direktor 3 / Director 3 | 8 | 908 | 1630 |
| Direktor 4 / Director 4 | 8 | 914 | 2385 |
| Direktor 5 / Director 5 | 8 | 884 | 2980 |

Boomaufteilung beginnend mit dem Reflektor / Boom split beginning with reflector:
 1,05m -> 0,95m -> 1,00m

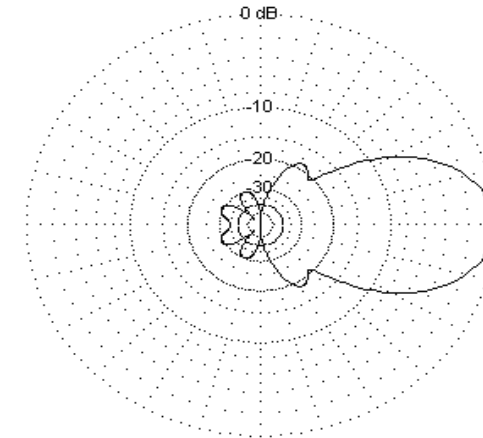
SWR:



Freq 144,3 MHz Source # 1
 SWR 1,027 Z0 50 ohms
 Z 49,53 - j 1,225 ohms
 Refl Coeff 0,01317 at -110,21 deg.

Azimuth:

Total
 H pol
 V pol



EZNEC-M

144,3 MHz

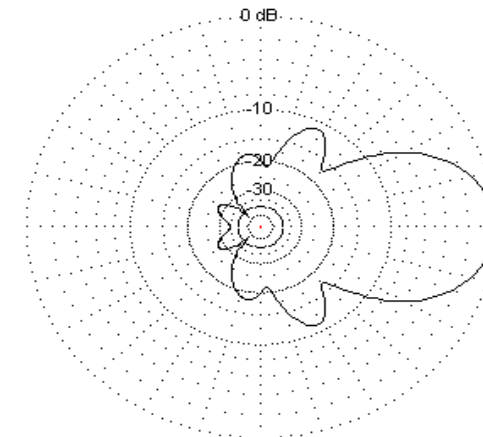
Azimuth Plot
 Elevation Angle 0,0 deg.
 Outer Ring 10,7dBref

Cursor Az 0,0 deg.
 Gain 10,7 dBref
 0,0 dBmax

Slice Max Gain 10,7 dBref @ Az Angle = 0,0 deg.
 Front/Back 35,12 dB
 Beamwidth 39,8 deg.; -3dB @ 340,1, 19,9 deg.
 Sidelobe Gain -7,76 dBref @ Az Angle = 303,0 deg.
 Front/Sidelobe 18,46 dB

Elevation:

Total
 H pol
 V pol



EZNEC-M

144,3 MHz

Elevation Plot
 Azimuth Angle 0,0 deg.
 Outer Ring 10,7dBref

Cursor Elev 0,0 deg.
 Gain 10,7 dBref
 0,0 dBmax

Slice Max Gain 10,7 dBref @ Elev Angle = 0,0 deg.
 Front/Back 35,12 dB
 Beamwidth 45,0 deg.; -3dB @ 337,5, 22,5 deg.
 Sidelobe Gain -0,44 dBref @ Elev Angle = 62,0 deg.
 Front/Sidelobe 11,15 dB