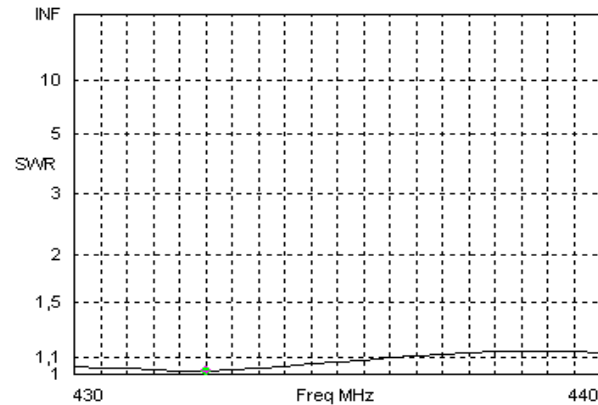


Bausatz 7 ele Yagi 432 MHz mit 0,98m Boom im 50 Ohm Design
Antenna kit 7 ele Yagi 432 MHz with 0,98m boom in 50 Ohm Design

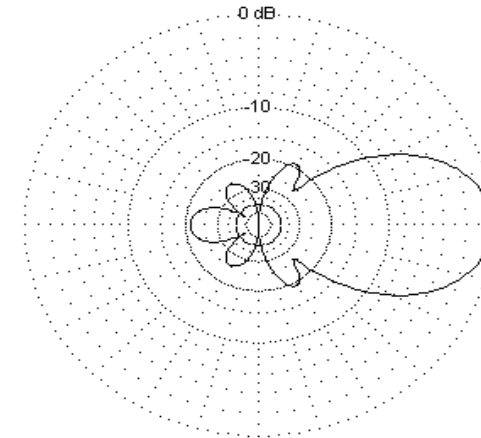
Antennenabmessungen / Dimensions table			
	Durchmesser Diameter (mm)	Länge / Length (mm)	Position (mm)
Reflektor / Reflector	6	336	0
Strahler / Radiator	6	335	115
Direktor 1 / Director 1	6	305	165
Direktor 2 / Director 2	6	293	330
Direktor 3 / Director 3	6	290	545
Direktor 4 / Director 4	6	293	785
Direktor 5 / Director 5	6	285	960

SWR:



Freq 432,5 MHz Source # 1
 SWR 1,016 Z0 50 ohms
 Z 49,73 + j 0,7612 ohms
 Refl Coeff 0,008101 at 109,16 deg.

Azimuth:



EZNEC-M

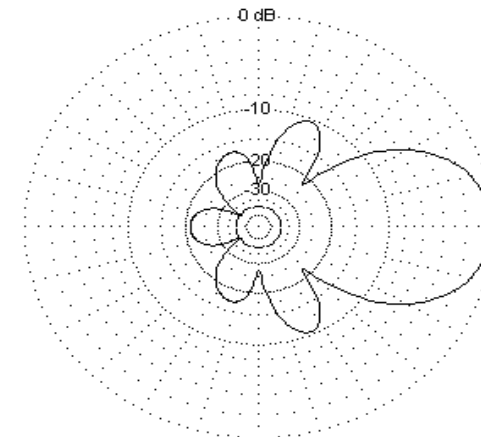
432,2 MHz

Azimuth Plot
 Elevation Angle 0,0 deg.
 Outer Ring 10,36dBref

Cursor Az 0,0 deg.
 Gain 10,36 dBref
 0,0 dBmax

Slice Max Gain 10,36 dBref @ Az Angle = 0,0 deg.
 Front/Back 21,15 dB
 Beamwidth 41,6 deg.; -3dB @ 339,2, 20,8 deg.
 Sidelobe Gain -8,67 dBref @ Az Angle = 300,0 deg.
 Front/Sidelobe 19,03 dB

Elevation:



EZNEC-M

432,2 MHz

Elevation Plot
 Azimuth Angle 0,0 deg.
 Outer Ring 10,36dBref

Cursor Elev 0,0 deg.
 Gain 10,36 dBref
 0,0 dBmax

Slice Max Gain 10,36 dBref @ Elev Angle = 0,0 deg.
 Front/Back 21,15 dB
 Beamwidth 47,4 deg.; -3dB @ 336,3, 23,7 deg.
 Sidelobe Gain -0,07 dBref @ Elev Angle = 294,0 deg.
 Front/Sidelobe 10,43 dB