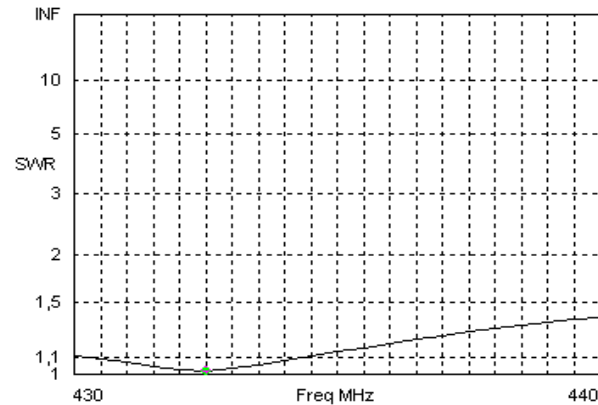


**Bausatz 7 ele Yagi 432 MHz mit 1,02m Boom im 28 Ohm Design**  
**Antenna kit 7 ele Yagi 432 MHz with 1,02m boom in 28 Ohm Design**

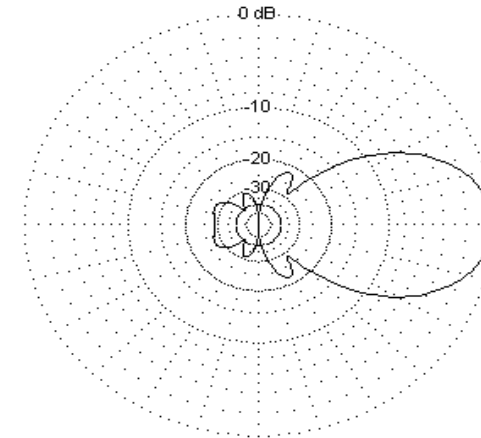
Antennenabmessungen / Dimensions table			
	Durchmesser Diameter (mm)	Länge / Length (mm)	Position (mm)
Reflektor / Reflector	8	346	0
Strahler / Radiator	10	316	105
Direktor 1 / Director 1	8	304	175
Direktor 2 / Director 2	8	291	320
Direktor 3 / Director 3	8	281	545
Direktor 4 / Director 4	8	284	800
Direktor 5 / Director 5	8	272	995

**SWR:**



Freq 432,5 MHz Source # 1  
 SWR 1,016 Z0 28 ohms  
 Z 28,44 + j 0,009031 ohms  
 Refl Coeff 0,007785 at 1,17 deg.

**Azimuth:**



EZNEC-M

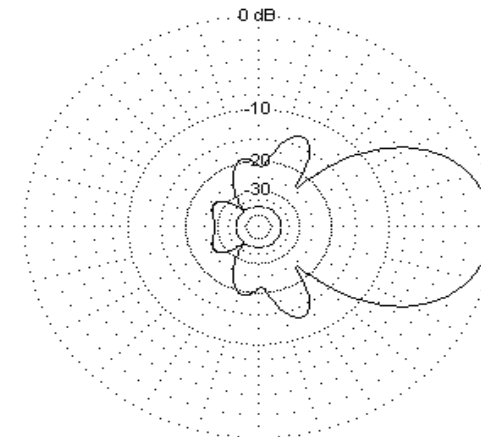
Azimuth Plot  
 Elevation Angle 0,0 deg.  
 Outer Ring 10,56dBref

Cursor Az 0,0 deg.  
 Gain 10,56 dBref  
 0,0 dBmax

Slice Max Gain 10,56 dBref @ Az Angle = 0,0 deg.  
 Front/Back 28,76 dB  
 Beamwidth 42,6 deg.; -3dB @ 338,7, 21,3 deg.  
 Sidelobe Gain -11,24 dBref @ Az Angle = 296,0 deg.  
 Front/Sidelobe 21,8 dB

432,2 MHz

**Elevation:**



EZNEC-M

Elevation Plot  
 Azimuth Angle 0,0 deg.  
 Outer Ring 10,56dBref

Cursor Elev 0,0 deg.  
 Gain 10,56 dBref  
 0,0 dBmax

Slice Max Gain 10,56 dBref @ Elev Angle = 0,0 deg.  
 Front/Back 28,76 dB  
 Beamwidth 48,8 deg.; -3dB @ 335,6, 24,4 deg.  
 Sidelobe Gain -2,57 dBref @ Elev Angle = 66,0 deg.  
 Front/Sidelobe 13,13 dB

432,2 MHz