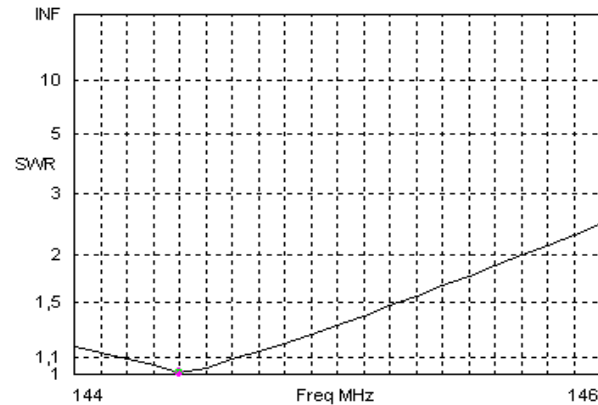


Bausatz 7 ele Yagi 144 MHz mit 3,0m Boom im 28 Ohm Design
Antenna kit 7 ele Yagi 144 MHz with 3,0m boom in 28 Ohm Design

Antennenabmessungen / Dimensions table			
	Durchmesser Diameter (mm)	Länge / Length (mm)	Position (mm)
Reflektor / Reflector	8	1022	0
Strahler / Radiator	10	972	275
Direktor 1 / Director 1	8	949	465
Direktor 2 / Director 2	8	922	920
Direktor 3 / Director 3	8	906	1605
Direktor 4 / Director 4	8	909	2360
Direktor 5 / Director 5	8	881	2980

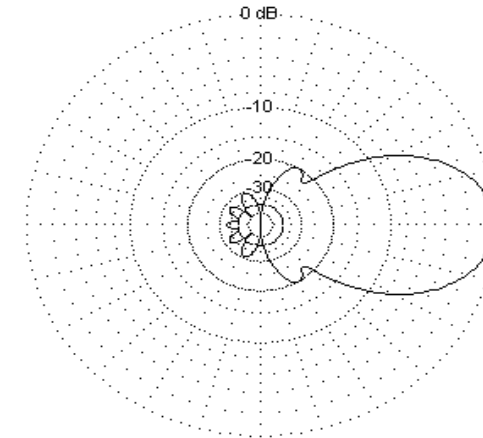
SWR:



Freq 144,4 MHz Source # 1
 SWR 1,01 Z0 28 ohms
 Z 28,1 - j 0,2461 ohms
 Refl Coeff 0,00477 at -66,65 deg.

Azimuth:

Total
 H pol
 V pol



EZNEC-M

Azimuth Plot
 Elevation Angle 0,0 deg.
 Outer Ring 10,72dBref

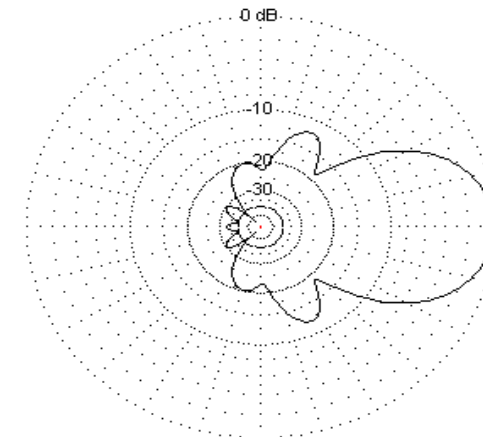
Cursor Az 0,0 deg.
 Gain 10,72 dBref
 0,0 dBmax

Slice Max Gain 10,72 dBref @ Az Angle = 0,0 deg.
 Front/Back 33,43 dB
 Beamwidth 40,6 deg.; -3dB @ 339,7, 20,3 deg.
 Sidelobe Gain -9,08 dBref @ Az Angle = 59,0 deg.
 Front/Sidelobe 19,8 dB

144,3 MHz

Elevation:

Total
 H pol
 V pol



EZNEC-M

Elevation Plot
 Azimuth Angle 0,0 deg.
 Outer Ring 10,72dBref

Cursor Elev 0,0 deg.
 Gain 10,72 dBref
 0,0 dBmax

Slice Max Gain 10,72 dBref @ Elev Angle = 0,0 deg.
 Front/Back 33,43 dB
 Beamwidth 46,2 deg.; -3dB @ 336,9, 23,1 deg.
 Sidelobe Gain -1,32 dBref @ Elev Angle = 64,0 deg.
 Front/Sidelobe 12,04 dB

144,3 MHz