

Bausatz 7 ele Yagi 144 MHz mit 3,3m Boom im 28 Ohm Design
Antenna kit 7 ele Yagi 144 MHz with 3,3m boom in 28 Ohm Design

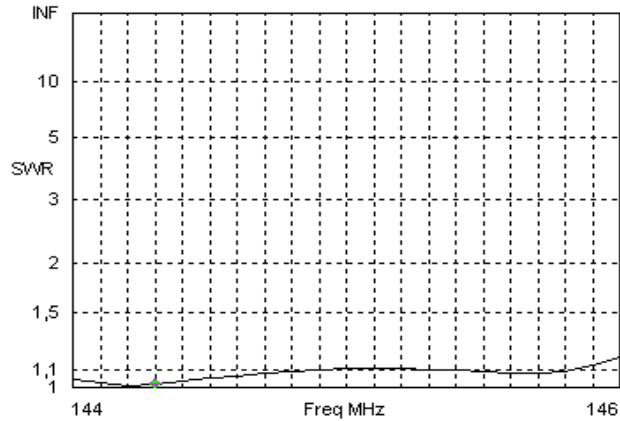
Antennenabmessungen / Dimensions table			
	Durchmesser Diameter (mm)	Länge / Length (mm)	Position (mm)
Reflektor / Reflector	8	1014	0
Strahler / Radiator	10	984	360
Direktor 1 / Director 1	8	949	600
Direktor 2 / Director 2	8	916	1145
Direktor 3 / Director 3	8	898	1820
Direktor 4 / Director 4	8	897	2625
Direktor 5 / Director 5	8	885	3245

Boom 1,00m

Boom 1,15m

Boom 1,15m

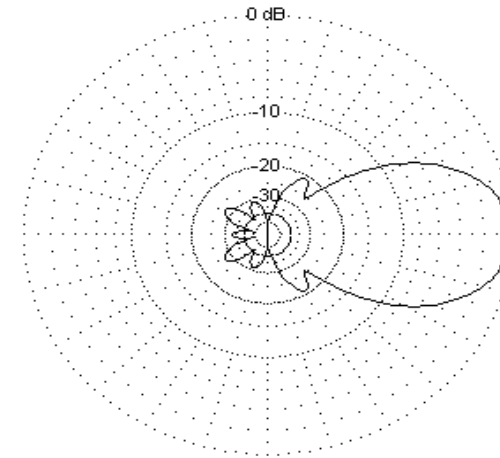
SWR:



Freq 144,3 MHz Source # 1
 SWR 1,017 Z0 28 ohms
 Z 28,39 + j 0,2692 ohms
 Refl Coeff 0,008422 at 34,25 deg.

Azimuth:

Total
 H pol
 V pol



EZNEC-M

144,3 MHz

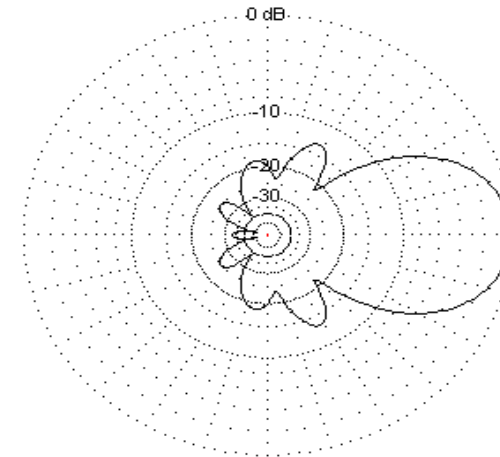
Azimuth Plot
 Elevation Angle 0,0 deg.
 Outer Ring 10,94dBref

Cursor Az 0,0 deg.
 Gain 10,94 dBref
 0,0 dBmax

Slice Max Gain 10,94 dBref @ Az Angle = 0,0 deg.
 Front/Back 33,18 dB
 Beamwidth 40,6 deg; -3dB @ 339,7, 20,3 deg.
 Sidelobe Gain -9,9 dBref @ Az Angle = 302,0 deg.
 Front/Sidelobe 20,83 dB

Elevation:

Total
 H pol
 V pol



EZNEC-M

144,3 MHz

Elevation Plot
 Azimuth Angle 0,0 deg.
 Outer Ring 10,94dBref

Cursor Elev 0,0 deg.
 Gain 10,94 dBref
 0,0 dBmax

Slice Max Gain 10,94 dBref @ Elev Angle = 0,0 deg.
 Front/Back 33,18 dB
 Beamwidth 46,0 deg; -3dB @ 337,0, 23,0 deg.
 Sidelobe Gain -2,28 dBref @ Elev Angle = 298,0 deg.
 Front/Sidelobe 13,21 dB