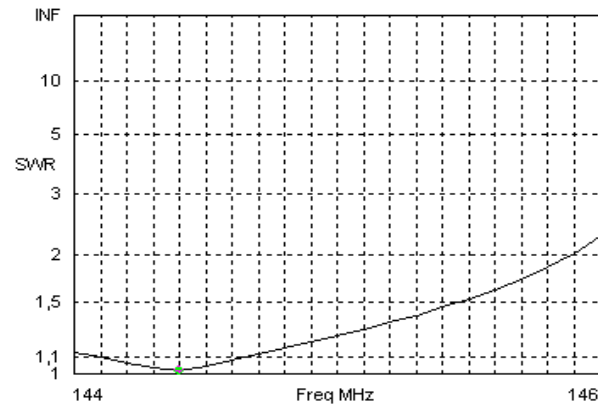


Bausatz 9 ele Yagi 144 MHz mit 5,0m Boom im 28 Ohm Design
Antenna kit 9 ele Yagi 144 MHz with 5,0m boom in 28 Ohm Design

Antennenabmessungen / Dimensions table			
	Durchmesser Diameter (mm)	Länge / Length (mm)	Position (mm)
Reflektor / Reflector	8	1020	0
Strahler / Radiator	8	977	345
Direktor 1 / Director 1	8	947	615
Direktor 2 / Director 2	8	917	1175
Direktor 3 / Director 3	8	902	1870
Direktor 4 / Director 4	8	891	2675
Direktor 5 / Director 5	8	882	3505
Direktor 6 / Director 6	8	898	4345
Direktor 7 / Director 7	8	882	4980

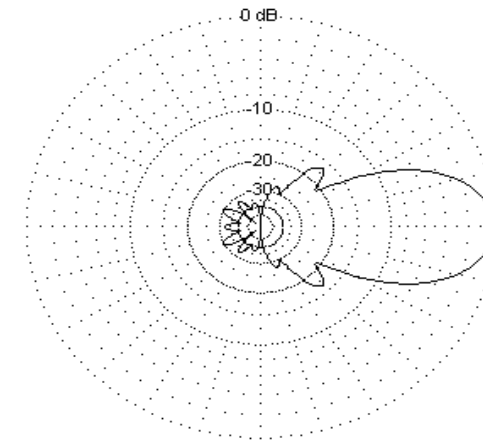
SWR:



Freq 144,4 MHz Source # 1
 SWR 1,015 Z0 28 ohms
 Z 28,4 - j 0,1322 ohms
 Refl Coeff 0,007457 at -18,18 deg.

Azimuth:

Total
 H pol
 V pol



EZNEC-M

144,3 MHz

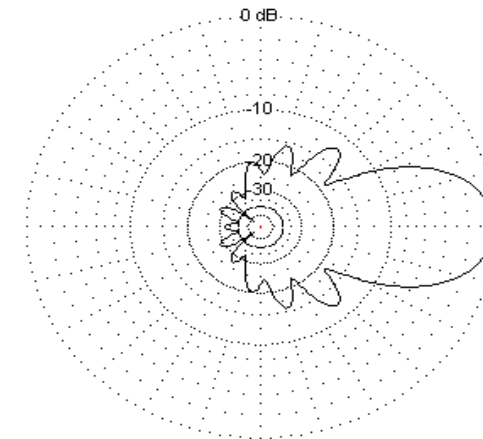
Azimuth Plot
 Elevation Angle 0,0 deg.
 Outer Ring 12,49dBref

Cursor Az 0,0 deg.
 Gain 12,49 dBref
 0,0 dBmax

Slice Max Gain 12,49 dBref @ Az Angle = 0,0 deg.
 Front/Back 32,44 dB
 Beamwidth 33,2 deg.; -3dB @ 343,4, 16,6 deg.
 Sidelobe Gain -3,96 dBref @ Az Angle = 46,0 deg.
 Front/Sidelobe 16,46 dB

Elevation:

Total
 H pol
 V pol



EZNEC-M

144,3 MHz

Elevation Plot
 Azimuth Angle 0,0 deg.
 Outer Ring 12,49dBref

Cursor Elev 0,0 deg.
 Gain 12,49 dBref
 0,0 dBmax

Slice Max Gain 12,49 dBref @ Elev Angle = 0,0 deg.
 Front/Back 32,44 dB
 Beamwidth 36,0 deg.; -3dB @ 342,0, 18,0 deg.
 Sidelobe Gain 0,39 dBref @ Elev Angle = 48,0 deg.
 Front/Sidelobe 12,1 dB