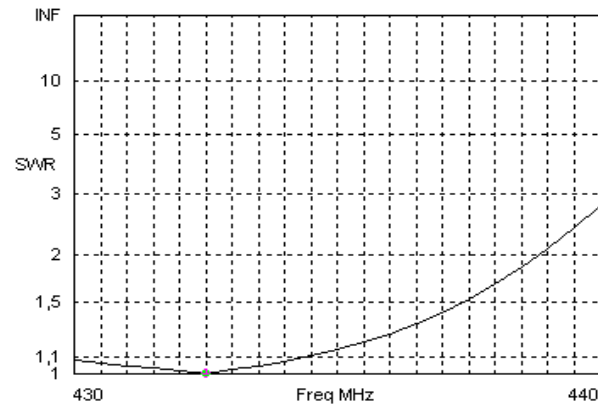


Bausatz 9 ele Yagi 432 MHz mit 1,60m Boom im 50 Ohm Design
Antenna kit 9 ele Yagi 432 MHz with 1,60m boom in 50 Ohm Design

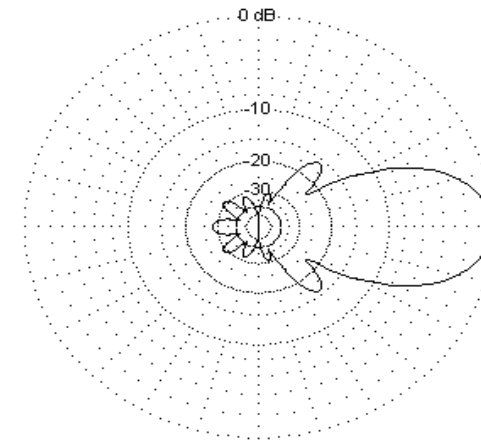
Antennenabmessungen / Dimensions table			
	Durchmesser Diameter (mm)	Länge / Length (mm)	Position (mm)
Reflektor / Reflector	6	334	0
Strahler / Radiator	6	332	140
Direktor 1 / Director 1	6	308	195
Direktor 2 / Director 2	6	294	365
Direktor 3 / Director 3	6	288	610
Direktor 4 / Director 4	6	286	875
Direktor 5 / Director 5	6	285	1130
Direktor 6 / Director 6	6	288	1385
Direktor 7 / Director 7	6	273	1580

SWR:



Freq 432,5 MHz Source # 1
 SWR 1,003 Z0 50 ohms
 Z 50,07 - j 0,1346 ohms
 Refl Coeff 0,001515 at -62,52 deg.

Azimuth:



EZNEC-M

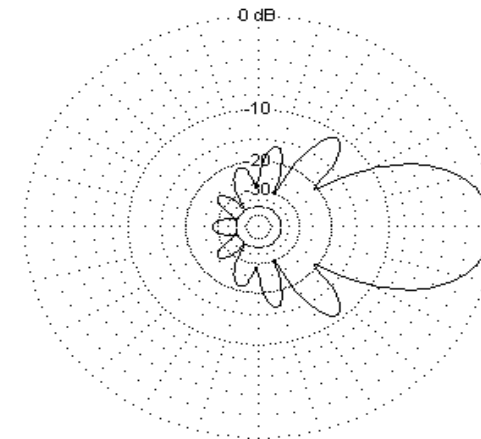
Azimuth Plot
 Elevation Angle 0,0 deg.
 Outer Ring 12,07dBref

Cursor Az 0,0 deg.
 Gain 12,07 dBref
 0,0 dBmax

Slice Max Gain 12,07 dBref @ Az Angle = 0,0 deg.
 Front/Back 27,93 dB
 Beamwidth 34,8 deg.; -3dB @ 342,6, 17,4 deg.
 Sidelobe Gain -3,66 dBref @ Az Angle = 49,0 deg.
 Front/Sidelobe 15,73 dB

432,2 MHz

Elevation:



EZNEC-M

Elevation Plot
 Azimuth Angle 0,0 deg.
 Outer Ring 12,07dBref

Cursor Elev 0,0 deg.
 Gain 12,07 dBref
 0,0 dBmax

Slice Max Gain 12,07 dBref @ Elev Angle = 0,0 deg.
 Front/Back 27,93 dB
 Beamwidth 37,8 deg.; -3dB @ 341,1, 18,9 deg.
 Sidelobe Gain 1,34 dBref @ Elev Angle = 51,0 deg.
 Front/Sidelobe 10,73 dB

432,2 MHz