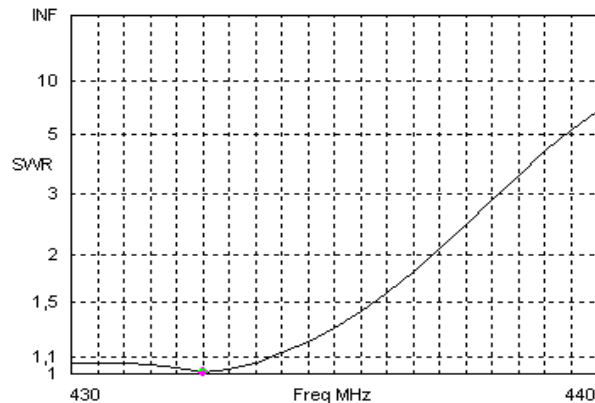


**Bausatz 9 ele Yagi 432 MHz mit 1,50m Boom im 28 Ohm Design**  
**Antenna kit 9 ele Yagi 432 MHz with 1,50m boom in 28 Ohm Design**

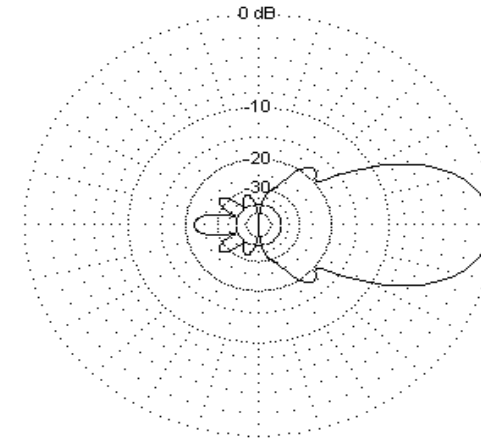
Antennenabmessungen / Dimensions table			
	Durchmesser Diameter (mm)	Länge / Length (mm)	Position (mm)
Reflektor / Reflector	8	334	0
Strahler / Radiator	10	318	125
Direktor 1 / Director 1	8	305	220
Direktor 2 / Director 2	8	294	400
Direktor 3 / Director 3	8	284	625
Direktor 4 / Director 4	8	281	875
Direktor 5 / Director 5	8	278	1095
Direktor 6 / Director 6	8	280	1300
Direktor 7 / Director 7	8	272	1480

**SWR:**



Freq 432,5 MHz Source # 1  
 SWR 1,012 Z0 28 ohms  
 Z 28,05 + j 0,3178 ohms  
 Refl Coeff 0,005731 at 81,37 deg.

**Azimuth:**



EZNEC-M

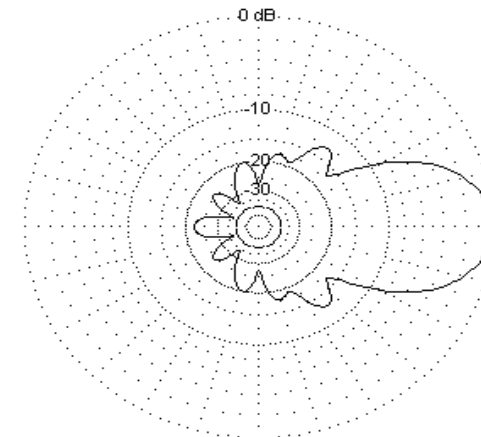
Azimuth Plot  
 Elevation Angle 0,0 deg.  
 Outer Ring 11,93dBref

Cursor Az 0,0 deg.  
 Gain 11,93 dBref  
 0,0 dBmax

Slice Max Gain 11,93 dBref @ Az Angle = 0,0 deg.  
 Front/Back 22,01 dB  
 Beamwidth 35,6 deg.; -3dB @ 342,2, 17,8 deg.  
 Sidelobe Gain -5,79 dBref @ Az Angle = 49,0 deg.  
 Front/Sidelobe 17,72 dB

432,2 MHz

**Elevation:**



EZNEC-M

Elevation Plot  
 Azimuth Angle 0,0 deg.  
 Outer Ring 11,93dBref

Cursor Elev 0,0 deg.  
 Gain 11,93 dBref  
 0,0 dBmax

Slice Max Gain 11,93 dBref @ Elev Angle = 0,0 deg.  
 Front/Back 22,01 dB  
 Beamwidth 39,0 deg.; -3dB @ 340,5, 19,5 deg.  
 Sidelobe Gain -0,83 dBref @ Elev Angle = 51,0 deg.  
 Front/Sidelobe 12,76 dB

432,2 MHz