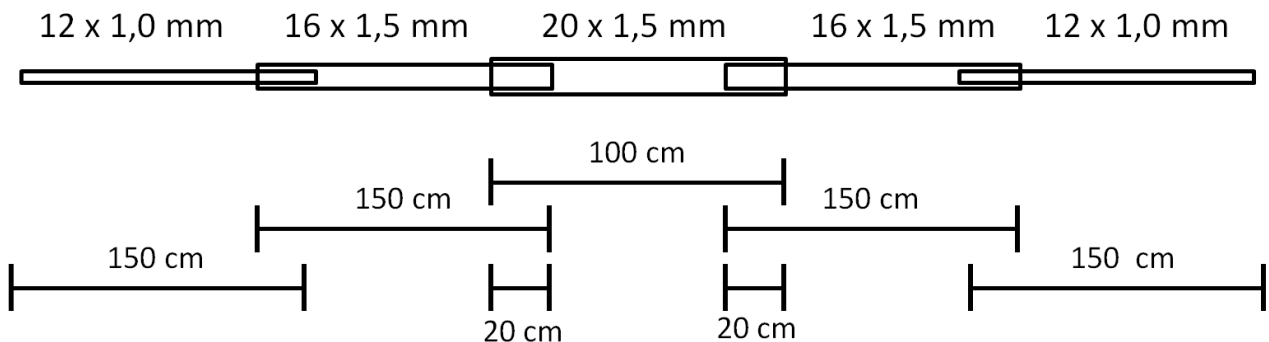


First, please follow the instructions from the 28 MHz & 27 MHz construction manual. But please consider the following differences in this yagi kits.

Element tapering

The 10m and 11m yagis are tapered with 16mm and 12mm tubes. The 12m yagis are a bit longer, so it has a different tapering.

- 20 x 1,5mm in the middle (total length 100 cm)
- 16 x 1,5mm is being pushed 20cm into the 20mm tubes, so that 130cm can be seen outside (total length 150 cm; will be fixed with the 16-27mm hose clamp)
- 12 x 1,0mm is being pushed into the 16mm tubes, until it has its desired length (total length 150 cm; will be fixed with the 10-16mm hose clamp)



Choke

The choke of the 12m yagi is being calculated as follows. Use RG59 or RG179 for 28 Ohm type matching or RG58 or RG188 for 12.5 Ohm matching. It's also possible to use other 50 Ohm cables for 12.5 Ohm matching.

	Lambda/4	V = 0,66 PE – cable RG59/RG58 PWR = 1000 Watts	V = 0,70 PTFE – cable RG179/RG188 PWR = 2000 Watts
24,940 MHz (CB)	3,01m	2,00m	2,11m

If you have critic or suggestions regarding this manual, please contact us:

Attila Kocis Kommunikationstechnik
 Lenzenweg 2
 D-96450 Coburg
 GERMANY
 Fax: +49 9561 3551883
 E-Mail: nuxcom@nuxcom.de